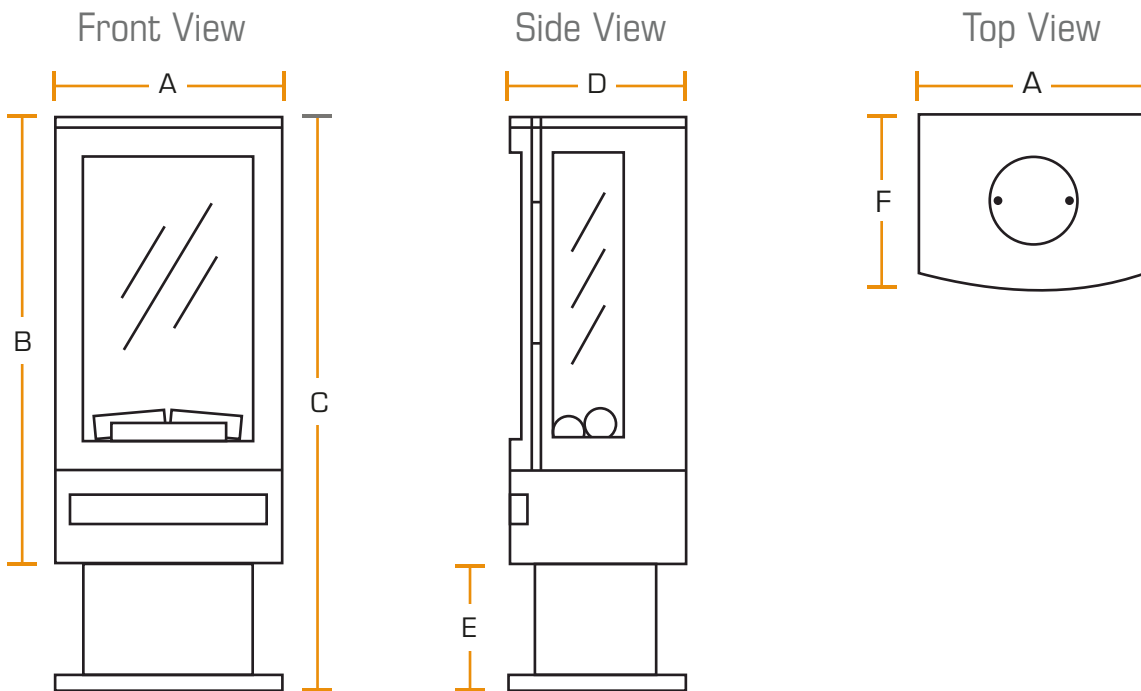


// BRAMSHAW ELECTRIC STOVE

Information Sheet



Dimensions

A	400mm
B	788mm
C	1013mm
D	310mm
E	225mm
F	310mm

Tech Specs

Heat output:	2000 W
Supply voltage:	220-240 V AC
Rating power:	50 Hz
Fuse rating:	13 Amp
Lighting:	LED