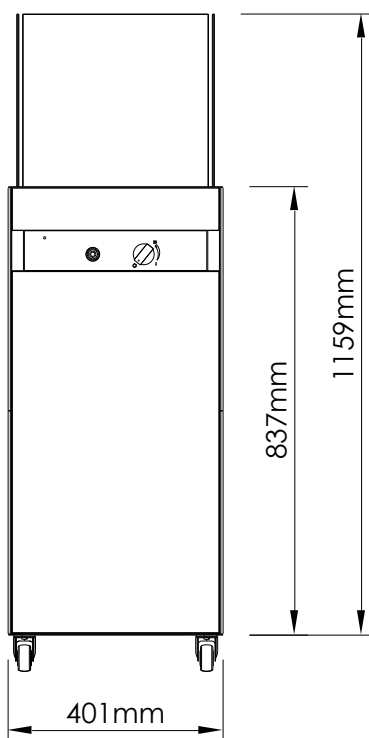


# INSTALLATION and USER'S MANUAL

## KL 21

### Oia

G30/G31 (Propane-Butane/Propane)



Produced by:  
Planika Sp. z o.o.  
Bydgoskich Przemysłowców 10  
85-862 Bydgoszcz, Poland  
Telephone: + 48 52 364 11 60

**IT IS OBLIGATORY TO READ AND KEEP THIS INSTRUCTION.**

**TABLE OF CONTENTS**

1. INTRODUCTION .....	3
2. SAFETY INSTRUCTIONS .....	4
2.1 Safety instruction regarding the use of the gas cylinders. ....	5
3. INSTALLATION .....	6
3.1. Box contents .....	6
3.2. Unboxing and installation.....	7
3.3. Wheels installation .....	7
3.4. Installation of the glass screen .....	8
3.5. Gas cylinder montage.....	8
3.5.1. Installation of the gas linkage and gas cylinder replacement .....	9
3.5.2 Regulator replacement.....	12
4. USER'S MANUAL.....	13
4.1 Start-up of the device .....	13
4.2 Regulation of the flame size .....	14
4.3 Device shutdown .....	14
4.4. Replacing the battery .....	15
5. TESTING.....	15
5.1 Checking for gas leaks.....	15
5.2 Checking the flame appearance. ....	15
6. MAINTENANCE AND UPKEEP .....	16
6.1. Testing and cleaning .....	16
6.2. Glass screens cleaning .....	16
7. WARRANTY.....	16
8. TROUBLESHOOTING .....	17
9. TECHNICAL SPECIFICATION .....	17

## 1. INTRODUCTION

The OIA fireplace is decorative fuel-effect gas appliances intended only for outdoor or amply ventilated area use. It is obligatory to acquaint oneself with the below installation manual and user's manual before committing to the installation and use of the KL 21 fireplace. This manual is to be kept safely for the lifetime of the device.

The KL 21 fireplace is manufactured in accordance with the registered Community design and is protected by the Registration Certificate No 006655080-0001 issued by the European Union Intellectual Property Office and is recorded in the Register of Community Design.

### CE Declaration of conformity

We hereby declare that both the design and construction of a gas heating device manufactured by **Planika Sp. z o.o. (with registered office at Bydgoskich Przemysłowców 10 85-862 Bydgoszcz, Poland)** Regulation (EU) 2016/462 of the European Parliament and of the Council of 9 March 2016 (GAR) on appliances burning gaseous fuels.

**Product:** Patio heaters

**Type:** KL 21

**Regulation:** 2016/426

**Standards:** PN-EN 14543:2017-09

The notified body: Kiwa Nederland B.V, Wilmersdorf 50, P.O. Box 137, 7300 AC APELDOORN, The Netherland (NB0476) on the basis of the EU-type examination (production type) - module B in accordance with Annex III, point 1 of the above-mentioned Of the Regulation issued the EU-type examination certificate No. 19GR0374\_01 on 04/06/2021

Production supervision in module C2 is carried out by THE INSTITUTE OF PETROLEUM AND GAS - National Research Institute, PL 31-501 Kraków, street Lubicza (NB1450) and NR 25 of the supervision certificate No. 1450-GAR-027 on October 21, 2021 sec. until 10/06/2022

The company's quality control system guarantees that the mass-produced devices meet the essential requirements of the applicable Directives and Regulations as well as the standards contained therein. This Declaration is annulled if any modifications are made to the device without the prior written consent of Planika.

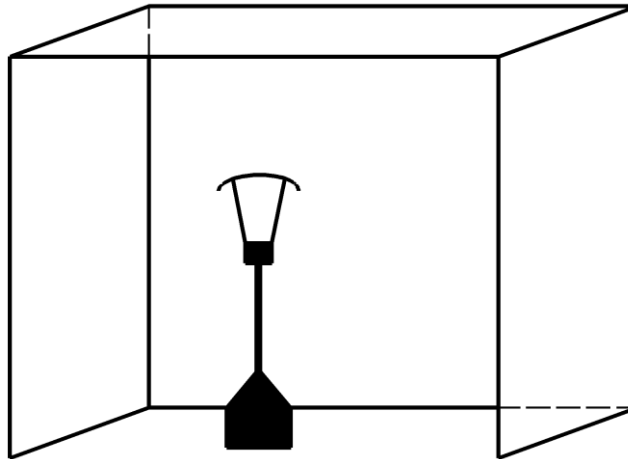
 **PREZES ZARZĄDU**  
Jarosław Dąbrowski

Chairman of the Board

Jarosław Dąbrowski

## 2. SAFETY INSTRUCTIONS

- **Read the instructions before use. Keep the instructions for future reference.**
- For use outdoors or in amply ventilated areas only. The use of this appliance in enclosed areas is DANGEROUS and is PROHIBITED.
- An amply ventilated area must have a minimum of 25 % of the surface area open. The surface area is the sum of the walls surface.



*Fig 1 – Minimum ventilation area*

- Do not move the appliance when in operation.
- Shut off the valve at the gas cylinder or the regulator before moving the appliance.
- In case of violent wind precautions must be taken against tilting of the appliance.
- This appliance must be used, and the gas cylinder stored, in accordance with the regulations in force.
- The OIA fireplace should installed and controlled annually according to the below installation manual as well as enforced national and local laws regarding gas safety (installation and use).
- One needs to assess whether the data one the product plaque complies with the local type of gas and pressure.
- Do not change the structure of the device or its sealed elements nor modify the default settings of the OIA fireplace.
- Do not set any additional imitation blocks nor any glowing coal fragments on the burner or in the combustion chamber.
- A CO2 or a powder fire extinguisher needs to be placed near the device.
- During the first ignition the OIA fireplace needs to be burnt on maximum level for a few hours in order for the elements to acquire correct temperature and for the remains of paint, lacquer and lubricant to evaporate.
- Do not move the device while it's working.
- OIA has been designed for decorative purposes. The surface of the OIA fireplace including the glass screens may get hot (up to 100 degrees Celsius) with the exception of the side walls of the appliance and the control panel.

**WARNING!!!** Parts of the device that are easy to reach may be very hot. Keep children away from the device.

- Glass panels must be installed when OIA is in use.

- This appliance must be kept away from flammable materials during use. Do not place any combustible materials within a distance of 0,3 m of OIA and 1 m over the appliance (Fig 2).

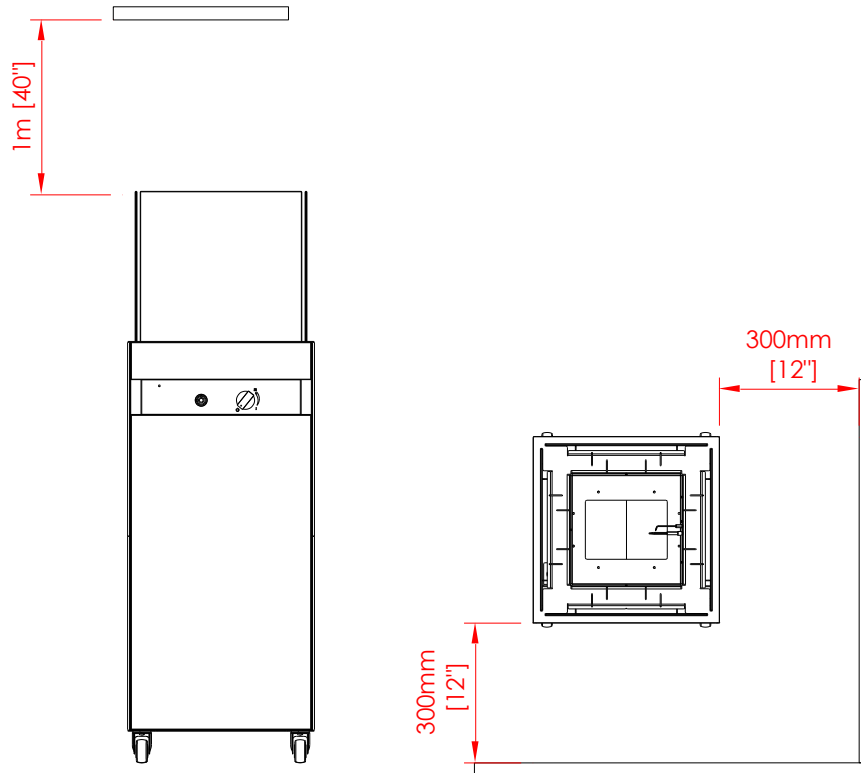


Fig 2 – Minimum distances

- When the OIA fireplace is on it's not to be exposed to rain.
- When not being used the OIA is to be protected from atmospheric conditions and the main valve of the gas cylinder needs to be turned off.
- If the OIA is not in use for a longer period of time (e.g. winter time), we advise you to store it inside.
- All parts of the OIA fireplace are made of stain resistant material.
- Never leave a turned on OIA without supervision.
- The OIA fireplace needs to be installed in a place inaccessible for children, unauthorised persons or animals for the direct contact with the flame or hot parts of the device to be impossible.
- In case of heavy wind the OIA fireplace needs to be immediately turned off and one needs to await until the heavy wind passes.
- In case of noticing any sort of gas leaks the fireplace as well as the main valve of the gas cylinder need to be turned off.
- After use turn off the gas cylinder valve.
- Salty seawater environment accelerates the corrosion process and contributes to fireplace damage

## **2.1 Safety instruction regarding the use of the gas cylinders.**

- Use only the type of gas and pressure specified by the manufacturer.
- Change the gas cylinder in a amply ventilated area, away from any ignition source (candle, cigarettes, other flame producing appliances).
- Do not obstruct the ventilation holes of the cylinder housing.

- In the event of gas leakage, the appliance shall not be used or if alight, the gas supply shall be shut off and the appliance shall be investigated and rectified before it is used again.
- The gas cylinders should always be placed in a vertical position – during use and transport.
- Always store the gas cylinder in an easily accessible place to allow its immediate turn-off.
- During the installation process do not allow an open flame or any ignited object to reach the gas cylinder.
- Leaks should be found with the use of a cleaning liquid and water. If bubbles form on the surface that means that there's an existing leak.
- Always use a pressure regulator between the gas bottle and the device. Replace the pressure regulator every 5 years. The allowed pressures are: 30mbar, 37mbar (recommended), 50 mbar. Use only regulators complying with the European EN16129 Norm.
- Use only approved and certified gas connection linkage. Replace the linkage every 2 years.
- Check the flexible hose at least once per month and each time the cylinder is changed. If it shows signs of cracking, splitting or other deterioration it shall be exchanged for new hose of the same length and of the equivalent quality.
- Do not connect the gas cylinder directly to the appliance without regulator.
- The tubing or the flexible hose must be changed within the prescribed intervals.
- Use only the type of gas and the type of cylinder specified in these instructions.
- The elastic linkage connecting gas to the fireplace is to be led away from sharp edges and hot surfaces. Refrain from bends and twists of the elastic connection on its full length.
- Remember that the LPG bottle should be stored in a well-ventilated place. LPG gas is heavier than air and its accumulation near the bottom surface may generate an explosive mixture.
- The gas cylinder needs to be shut if the fireplace is not being used.
- Filling the gas cylinders is to be commissioned to certified gas filling stations.
- Replacement of empty cylinders for full ones is to be conducted only in authorised locations.

### **3. INSTALLATION**

#### **3.1. Box contents**

- 1x complete OIA fireplace
- 4x Tempered glass screens
- 1x bag of decorative stones
- 4x wheels
- 1x AAA battery
- 1x 1,4 metre flexible hose Ø9mm – installed
- 1x pressure regulator (37mbar) – installed
- 1x Wrench
- 1x installation manual and user's manual

### 3.2. Unboxing and installation

- The contents of the boxes need to be carefully unwrapped from the foam foil.
- Remove the bags with decorative stones from the burner reservoir and place them away from it.
- Carefully pull out the glass shield wrapped in cardboard
- Check the completeness of the elements with the contents list.
- Make sure that the device nor its elements weren't damaged during the transportation (if they were, notify the supplier).
- Assemble the wheels in accordance with point 3.3.
- Place OIA on a flat, paved surface outside of the building, preferably on the place of final installation. Leave sufficient space on the side of the appliance where control panel is located (minimum 1 m).
- The decorative stones are to be scattered evenly around the reservoir to completely cover the burner of the fireplace. Install glasses and top in accordance with point 3.4

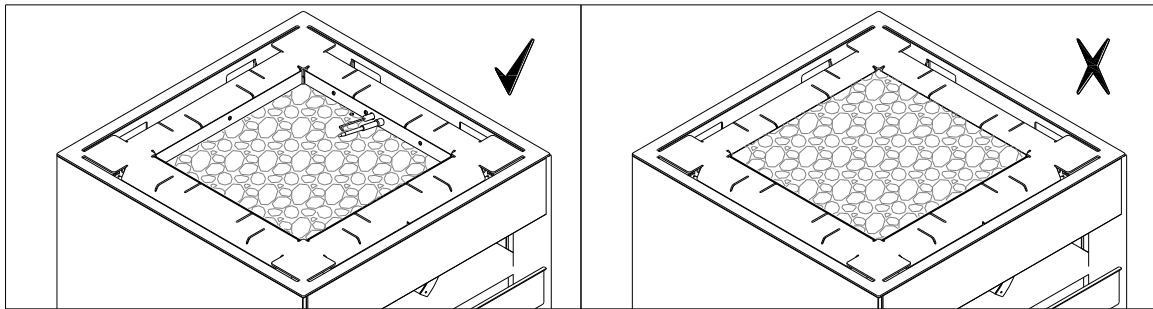


Fig 3 – Decorative stones arranged on burner

### 3.3. Wheels installation

	<p>Gently take off the door by lifting them upwards and then to the outside. Place the fireplace with the opening facing upwards.</p> <p><b>Warning</b> Protect the unit from scratches before placing it.</p>
	<p>Insert the wheel screw through the hole in the bottom of the unit (1) and secure it with the washer (2) and nut (3) from the inside. Use wrench (4) to tight the wheel.</p>
	<p>Assemble 2 wheels with brakes on the side of the gas-cylinder door and 2 wheels without brakes on the opposite side. Place the product back to the vertical position.</p>

Fig 4 – Wheels installation

### 3.4. Installation of the glass screen

- Carefully remove cardboard and foam foil from the glass screens.
- Remove all contaminations from the glass shields which could burn out on the glass during operation of the Oia (in particular fingerprints).
- Install glass shields in the corresponding slots on the top of appliance.
- Remove the glass shield only in case of damage of the glass.

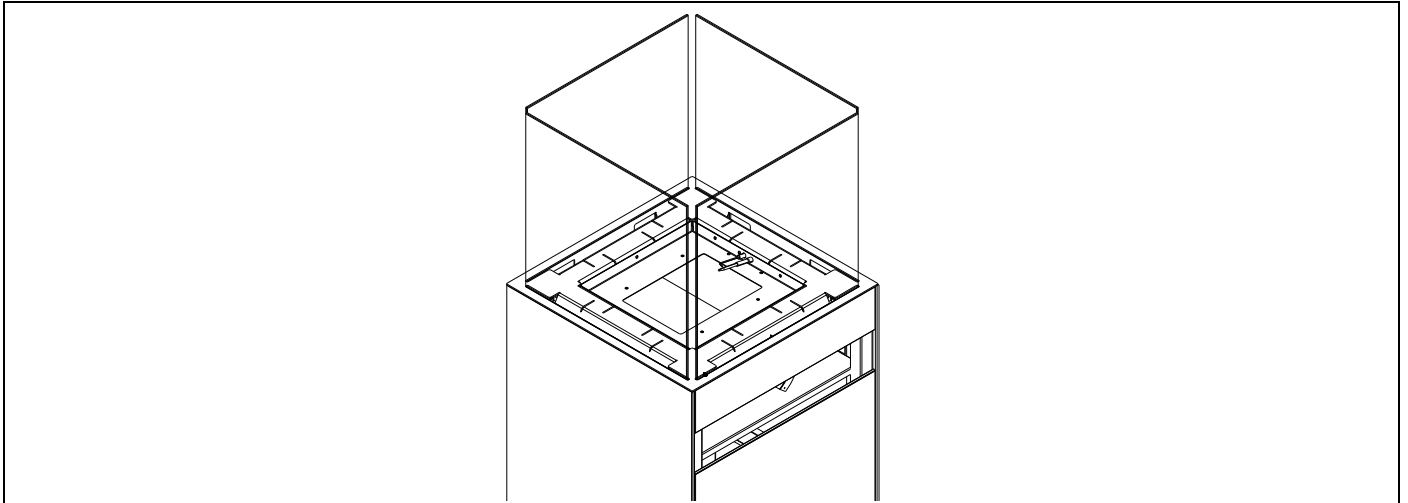


Fig 5– Installation of the glass in slots

### 3.5. Gas cylinder montage

The gas linkage attached to the device allows to place the gas bottle maximally 1 meter away from the connected control panel during its replacement. During operation the gas cylinder is hidden inside the device behind easily removable doors.

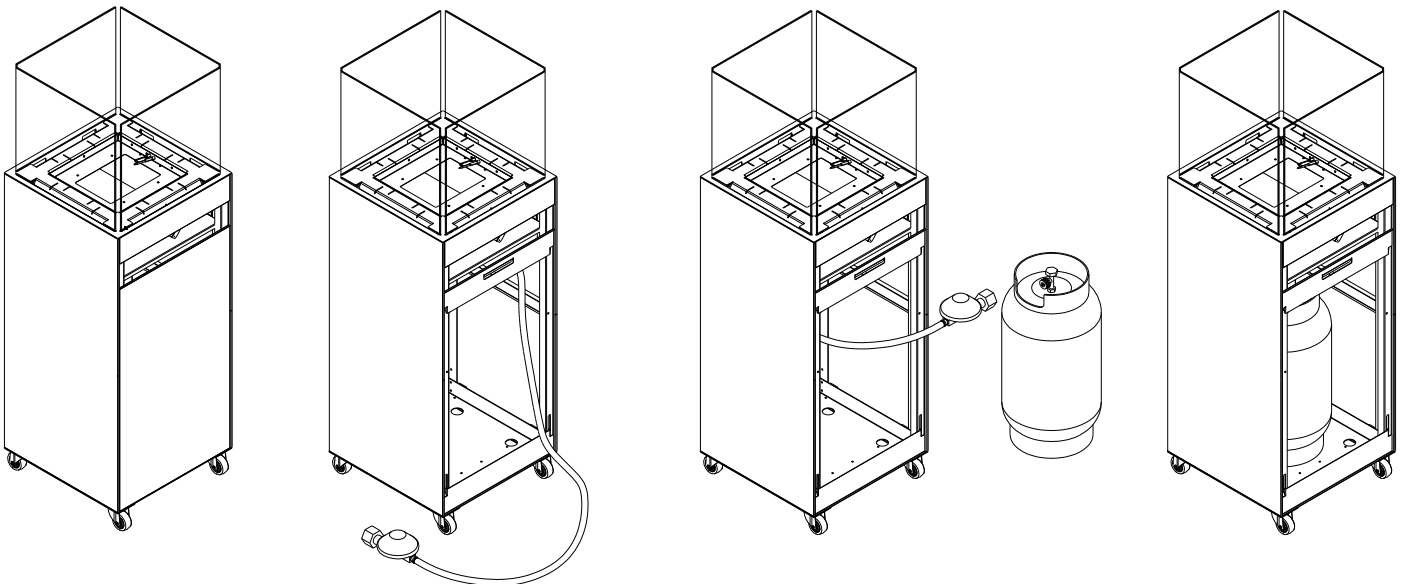


Fig 6– Gas cylinder installation

- The housing for the gas bottle is not airtight and has to be correctly ventilated. It is equipped with an upper ventilation slot above the top of the bottle (of an area min 1/100 of the area of the base of the housing) and a lower ventilation slot (of an area min 1/50 of the area of the base of the housing).

**WARNING!!!** Before gas cylinder replacement, please block the wheels of the device.



### **3.5.1. Installation of the gas linkage and gas cylinder replacement**

**WARNING!!!** The montage and service needs to be conducted by a qualified professional, a company or the gas supplier.

Before proceeding with the connection of the gas cylinder to the fireplace all activity regarding the correct placement and installation of the OIA needs to be already performed. Place the gas linkage away from hot or sharp edges and make sure it is not twisted.

The OIA is delivered together with an elastic gas linkage which, on one end is connected to the valve of the device and one the other end to the 37mbar regulator (in the twist-on version) ready to be connected to the gas cylinder. One needs to control the expiry date both of the regulator as well as the gas linkage and if necessary (for instance: broken, cut, scratched linkage) replace the components for new ones according to national standards and norms.

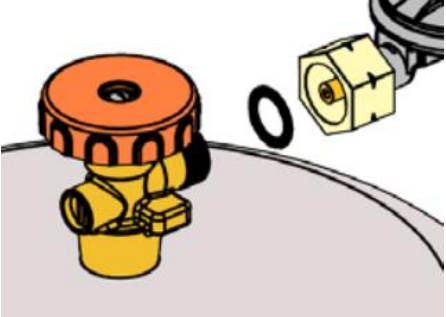
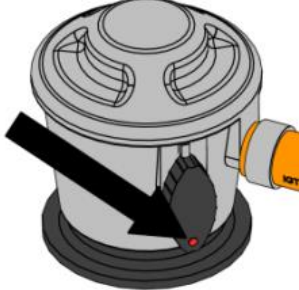
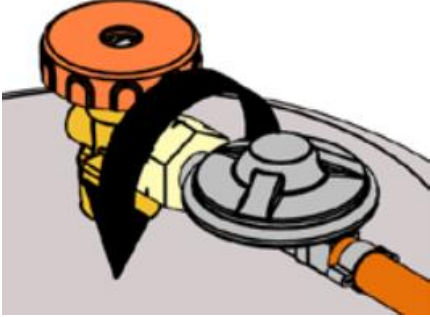
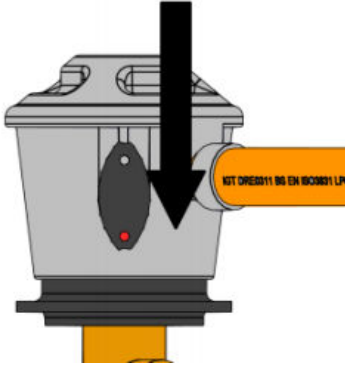

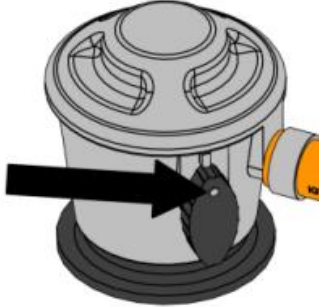
The OIA fireplace can use metal or steel bottles or composite bottles filled with propane-butane gas or propane gas. This device features a twist-on regulator with current pressure of 37mbar. It can be replaced into a regulator with a quick-release with pressure regulator of 37 mbar.

**WARNING!!!** NEVER use an unstable gas connection (without a regulator).

Gas cylinders have two types of connectors:

- Twist-on connection: The most important thing is the black seal. Always check if the seal is present and whether it hasn't been damaged during the gas cylinder replacement. Some connections have a knob to fasten them in place while others require the use of a wrench. Tighten securely (left thread). Using the tool pay attention not to fasten the connection too tightly as this may damage the seal.
- Quick-release: For this type of connection no tool is required. On/off regulation of gas connection is made through a switch on the regulator or on a special connector. In case of using a connector with a thread regulator of an old type put a special emphasis on checking if the connecting nut has been tightly fastened with the help of wrench.

## Gas cylinder connection




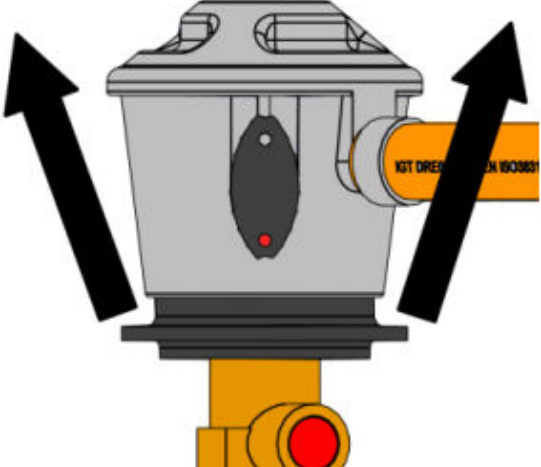
Twist-on connection	Quick-release
<ol style="list-style-type: none"> <li>1. Check if the bottle valve is TURNED OFF turning it clockwise</li> <li>2. Remove the protection tip and store it for later use.</li> </ol>	<ol style="list-style-type: none"> <li>1. Remove the protection tip. Do not use any tools, leave the tip hanging freely.</li> </ol>
<ol style="list-style-type: none"> <li>3. Before making the connection check if the black seal is not damaged.</li> </ol> 	<ol style="list-style-type: none"> <li>2. Make sure all the taps on the gas device are closed and if the switch is in the OFF position.</li> </ol> 
<ol style="list-style-type: none"> <li>4. Fit the connecting nut to the cylinder with the use of a correct wrench or the connecting knob. (left thread) Do not allow the gas bottle connectors to be fastened too tightly.</li> </ol> 	<ol style="list-style-type: none"> <li>3. Place the quick-release regulator on the valve and press it down hard. If the switch is correctly turned off you will hear a characteristic click.</li> </ol> 
<ol style="list-style-type: none"> <li>5. When the gas flow is required turn the valve of the bottle counter-clockwise.</li> </ol> 	<ol style="list-style-type: none"> <li>4. To let the gas flow in turn the switch into the ON position (or into the flame image).</li> </ol> 

- Place the gas bottle in a correct distance from the fireplace (min 1 meter away).

**WARNING!!!** Check the gas connection for leakage. If anything suggests a leak is present (for instance a characteristic gas smell) close the gas bottle valve and under no circumstances turn the device on before removing the leak.

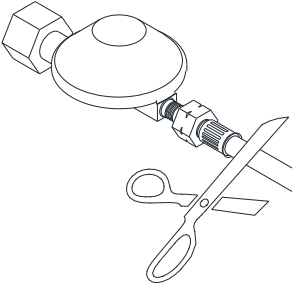
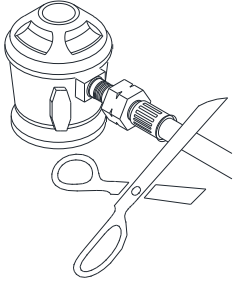
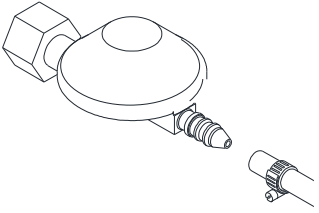
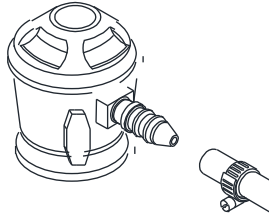
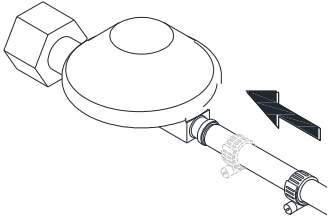
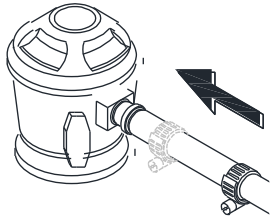
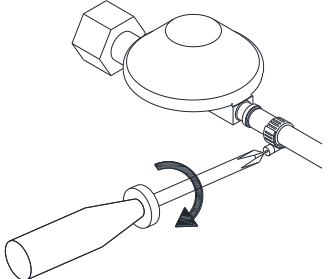
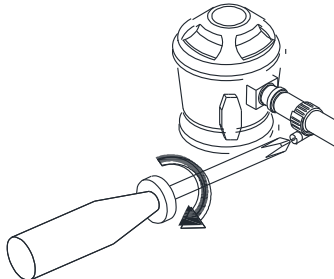
- After removing the leak one may open the gas bottle valve again.

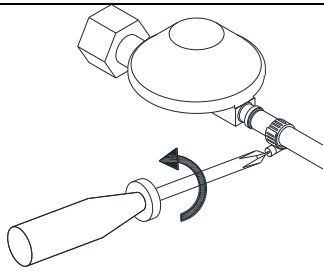
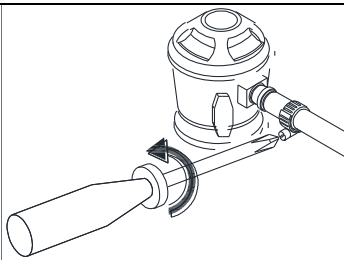
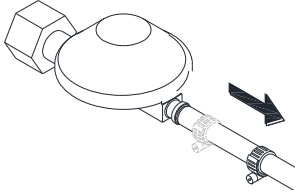
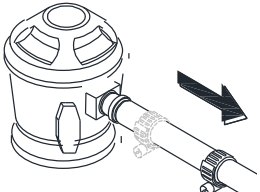
## Disconnection of the gas cylinder

Twist-on connection	Quick-release
<p>1. Turn off the OIA – put it into the OFF position.</p> <p>2. Turn the bottle valve into the OFF position (clockwise).</p> 	<p>The main burner need to be turned off.</p> <p>4. Turn the switch into the OFF position.</p> 
<p>5. NEVER DO NOT unmount the regulator (or connecting nut) when the bottle valve is open.</p> <p>6. TAKE OFF the regulator (or the connecting nut) with the use of a wrench or a connecting knob.</p> 	<p>3. Take off the quick-release regulator by pressing the switch horizontally and simultaneously pulling the whole regulator upwards.</p> 
<p>5. REPLACE the linkage closer or cap on the empty or partially full bottle if it's not being used.</p>	<p>4. REPLACE the tightening cap on an empty or partially full bottle if it's not being used.</p>

### 3.5.2 Regulator replacement

1. You always need to use a pressure regulator between the gas bottle and the device. Replace the pressure regulator every 5 years. Allowed pressures: 30 mbar, 37 mbar (recommended), 50 mbar. Use only the regulators that comply with the EN16129 European Norm.
2. Turn off The OIA — the „OFF” position. The main burner need to be turned off.
3. Disconnect the regulator from the gas bottle (description above).

	<b>Twist-on connection</b>	<b>Quick-release</b>
4. Cut off attached pressure reducer or go to step 4.1. if you have pressure reducer with clamp connection.		
5. Replace the regulator to new one with clamp connection by attaching new linkage on the stub of regulator.		
6. Move the clamp into the stub		
7. Tighten the clamp with screwdriver (philips) or a flat wrench. <b>WARNING!</b> In the event of visible damage on the clamp, replace it for a new one.		

	<b>Twist-on connection</b>	<b>Quick-release</b>
4.1. Loosen the metal clamp with the use of a screwdriver (philips) or a flat wrench.		
4.2. Move the clamp away from the stub of gas regulator and go to step 5		

- OIA is equipped with the anti-tilt valve which shuts the device down in case if the fireplace is tilted or collapsed. The valve automatically cuts off the gas supply to the controller and this extinguishes the flame.

**WARNING!!!** make sure the anti-tilt valve is always installed in upward position.

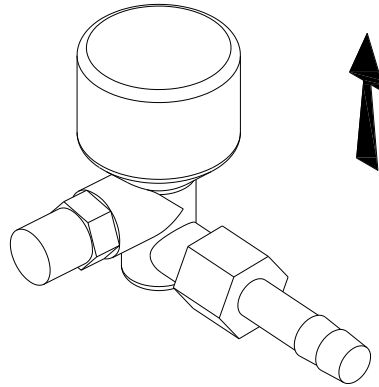


Fig 7– Anti -tilt sensor

## 4. USER’S MANUAL

The OIA fireplace has a control valve with a built-in ignition for the main burner (without pilot flame). The flame height of the main burner may be appropriately regulated with by turning the knob. Next to the knob is placed electric ignition button (powered by AAA battery). The control panel is placed in front just above the door of the gas cylinder compartment.

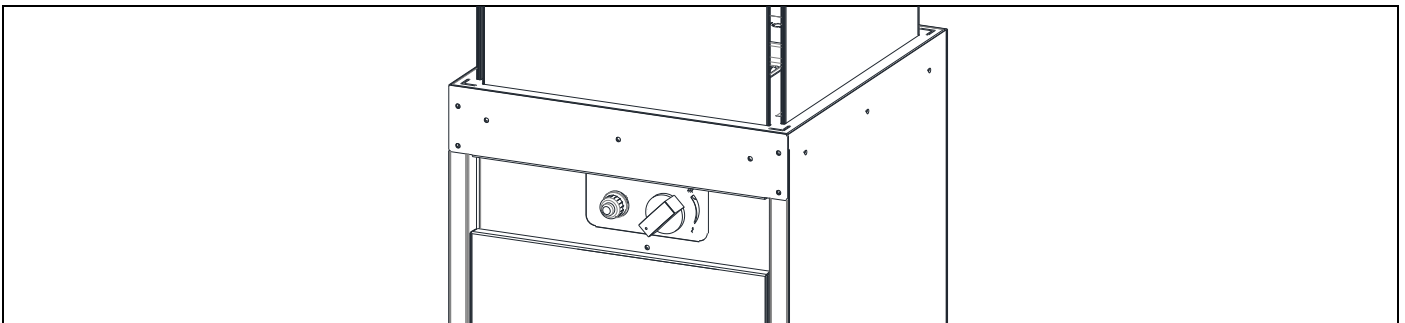


Fig 8– Control panel

### 4.1 Start-up of the device

- Make sure that the knob is placed in „OFF” position (all the way clockwise) (Fig 9).

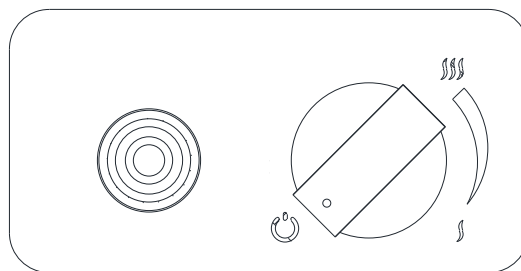


Fig 9 – Off position

- Open the valve on gas cylinder.
- Press the knob and while still pressing turn it counter-clockwise from position (1) to position (2)

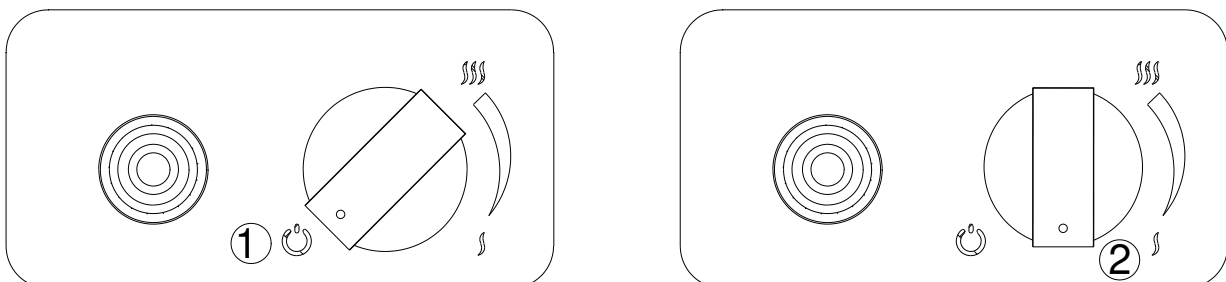


Fig 10 – Turning on the device

- While keeping the knob still pressed start the flame by pressing the ignition button (3).

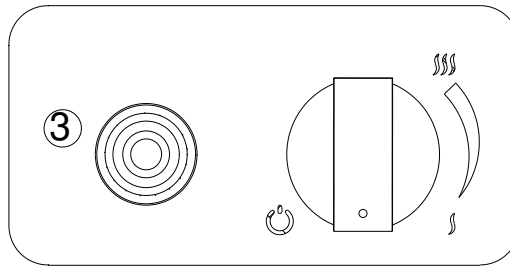


Fig 11 – Pressing the on button

- A spark will appear which ignites the main burner on the minimum flame height. If the flame did not ignite repeat this process 2-3 times. This will be required especially when you have replaced and installed a new LPG gas cylinder.
- When the flame is ignited keep holding the knob for around 5 seconds until the thermo-couple, which will keep the main valve in an open position, warms up.
- You may now release the knob. If however the flame is extinguished repeat the process once again until a stable flame is achieved.

**WARNING!!!** After 2-3 unsuccessful attempts terminate and check the connections. Try again in 10 minutes. If the installed gas bottle is new or the fireplace has not been used for a longer period the first thing that needs to be done is to release air from the gas linkage. In this case conducting a few attempts will be needed until the flame is ignited.

#### 4.2 Regulation of the flame size

- When the flame is burning the desired height of the flame may be adjusted and regulated by turning the knob clockwise or counter-clockwise.
- To achieve a higher flame turn the knob counter-clockwise to “Hi” position. To achieve a lower flame turn the knob clockwise to “Lo” position (Fig 12).

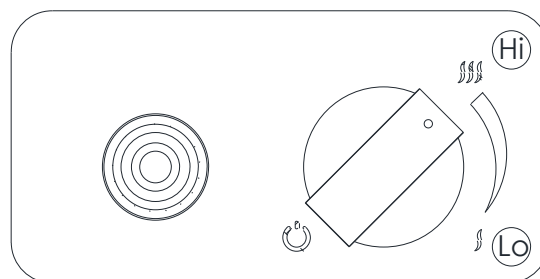


Fig 12 – Adjusting the flame high

#### 4.3 Device shutdown

- To turn off the device, simultaneously press and turn the knob all the way clockwise (Fig 13). The gas supply will be cut and the flame on burner will be turned off.

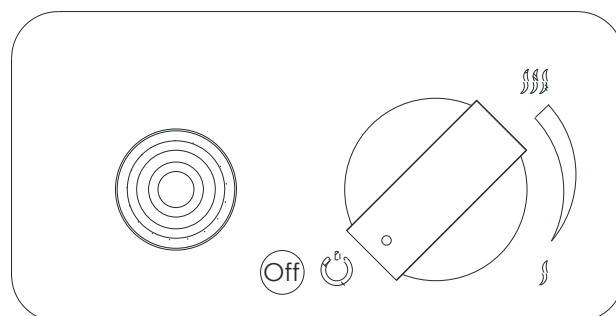


Fig 13 – Turning off the device

- Additionally, close also the valve on the gas cylinder.

#### 4.4. Replacing the battery

If the battery is inserted incorrectly, the electronic ignitor may be irreparably damaged. Only replace the battery when the appliance has been completely switched off.

The battery is placed in the container located on the control panel next to the flame regulation knob.

- Unscrew the ignition button
- Remove the battery and place the new one into the container.

**WARNING!** Remember about proper polarization of the battery.

- Screw the cover of the battery container.

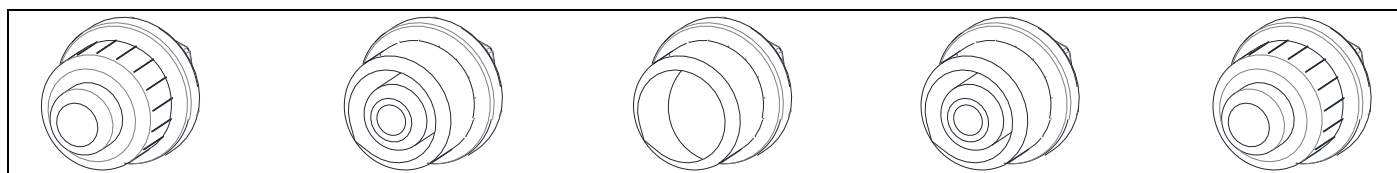


Fig 14 – Replacing the battery

## 5. TESTING

**WARNING!!! NEVER TURN ON THE DEVICE IF THE CHARACTERISTIC SMELL OF GAS IS PERCEPTIBLE.**

In the event of gas leakage, the appliance shall not be used or if alight, the gas supply shall be shut off and the appliance shall be investigated and rectified before it is used again. If you smell gas during the operation of the fireplace turn off the device immediately and cut off the gas supply from the gas cylinder by shutting its valve.

### 5.1 Checking for gas leaks.

- Check if all connections are airtight.
- To do that apply all connections with soapy water (or water with another foamy substance) or with a professional spray for leak detection.
- If air-bubbles are present that means the connection has a leak.
- Remove the leaks in the identified spaces.
- Check for leaks once again.
- After the inspection dry the inspected connections.
- The device may only be used again after all leaks are removed.
- **If the problem happens again please contact the dealer.**

### 5.2 Checking the flame appearance.

- Burn the OIA on max flame height and check the appearance of the flame.
- The flame should be evenly placed on the whole surface of the main burner.
- If visible gaps are present or there are substantial differences in flame height turn off the fireplace and after the device is cooled adjust the placement of decorative stones in such a way for them to be evenly placed on the whole surface of the main burner.
- Turn on the fireplace and check the appearance of the flame once again.

## 6. MAINTENANCE AND UPKEEP

We recommend cleaning the ignitor, thermocouple and the main burner before the device is started again after its been removed from storage during the winter period.

### 6.1. Testing and cleaning

Please check and clean if necessary:

- The main burner - if necessary, remove broken parts of stones and the existing dust.
- Thermocouple (if necessary, remove the existing sediment). In the event of visible damage contact your dealer.
- Igniter - gap between igniter and the burner should not be bigger than 5 mm.
- Glass shield – check for dirt smudges or possible scratches or cracks. If cracks are present replace the glass screen for a new one. To conduct this contact your dealer.
- Gas linkage and pressure regulator (in case their expiry date is invalid replace these ancillaries for new ones).
- If you encountered problems with the regulator, gas linkage, burner or regulation valves do not try to fix these parts. Contact a sales person, an authorised service or an importer in order to acquire spare parts. To ensure the device is working efficiently use only original spare parts.

### 6.2. Glass screens cleaning

Most of the existing types of smudges may be wiped with a dry cloth. In case of more substantial smudge you may use liquids normally applied to ceramic tiles or windows. Always dry the glass screen to avoid damp patches which could irreversibly embed into the glass.

**WARNING!!!** Avoid leaving fingerprints on the glass. They will be embedded into the glass and you will not be able to clean them.

## 7. WARRANTY

Planika Sp. z o.o. grants the Client guarantee of quality for the smooth operation of the goods specified on the sales document. The warranty is determined for a given period from the date of purchase (based on the warranty card together with the receipt of purchase). The warranty period starts at the moment of purchase of the original product by the first end user. Product may consist of several separate parts and different parts may be covered by a different warranty periods. The manufacturer gives 2 year warranty from date of purchase an insert for its smooth operation. Fireplace sealing is covered by warranty for a period of 1 year from date of purchase of the device. Guarantee does not cover decorative ceramic logs/stones and glass. The use of the fireplace insert and operating conditions must be in accordance with the user manual and with the regulations in force. The basis for the free repair covered by warranty is a warranty card. Warranty Card will expire without a date, stamps, signatures, as well as the amendments made by unauthorized persons. Customer entitlement under the guarantee will expire automatically: after the warranty period. Any damages caused by improper handling, storage, of poor maintenance, incompatible with the conditions laid down in the manual and due to other reasons not due to the fault of the manufacturer, will void the warranty. In the event of a complaint, always contact your dealer. Supplier will contact the company Planika, if it deems it necessary. Factory Warranty is valid for 2 years from the date of purchase. Details of the warranty are available on the <https://www.planikafires.com/warranty-cards/>



## 8. TROUBLESHOOTING

**Warning!** Montage, upkeep and service need to be conducted by a qualified professional with appropriate qualification, an appropriate company or the gas supplier.

PROBLEM	POSSIBLE CAUSE	CORRECTIVE ACTION
<b>SMELL OF GAS</b>	<b>CLOSE THE VALVE ON THE GAS CYLINDER IMMEDIATELY. DO NOT USE THE DEVICE UNTIL LEAKS HAVE BEEN REMOVED.</b>	
Leak detected at cylinder, regulator or other connection.	<ol style="list-style-type: none"> <li>1. A loose regulator linkage.</li> <li>2. Leak in the gas linkage, in the regulator or on the gas knobs.</li> </ol>	<ol style="list-style-type: none"> <li>1. Tighten and test it.</li> <li>2. Report this issue to service.</li> </ol>
Burner does not ignite	<ol style="list-style-type: none"> <li>1. The bottle is empty.</li> <li>2. Igniter linkage is not connected.</li> <li>3. No ignition spark.</li> <li>4. The igniter electrode is placed incorrectly opposite the igniter.</li> <li>5. Gas nozzles are blocked.</li> <li>6. Gas linkage is twisted.</li> <li>7. Pressure regulator link is loose.</li> </ol>	<ol style="list-style-type: none"> <li>1. Replace Gas Cylinder.</li> <li>2. Connect the igniter linkage.</li> <li>3. Replace igniter.</li> <li>4. Realign electrode and clear any surrounding debris from area.</li> <li>5. Unmount burner, clean the nozzle.</li> <li>6. Straighten the linkage. Keep the linkage away from the housing.</li> <li>7. Tighten the link. Check for leaks.</li> </ol>
Igniter Not Working	<ol style="list-style-type: none"> <li>1. Ignitor wire not connected.</li> <li>2. Electrode misaligned on pilot burner</li> <li>3. Igniter malfunction</li> <li>4. The battery has run out</li> </ol>	<ol style="list-style-type: none"> <li>1. Ensure pilot electrode wire is connected.</li> <li>2. Realign electrode and clear any surrounding debris from area.</li> <li>3. Replace Igniter</li> <li>4. Replace battery</li> </ol>
Low efficiency, „cracking” sounds	<ol style="list-style-type: none"> <li>1. The bottle is empty.</li> <li>2. The nozzles of the burner are blocked.</li> </ol>	<ol style="list-style-type: none"> <li>1. Replace Gas Cylinder.</li> <li>2. Unmount the burner, clean the nozzle.</li> </ol>
Thumping sounds made by the regulator.	The cylinder valve has opened rapidly.	Unfasten the bottle valve slowly.
A vivid/ bright orange and smoky flame of the burner.	Holes blocked in the apparatus producing the gas and air mixture.	Unmount the burner and clean/ unblock the apparatus' holes.

## 9. TECHNICAL SPECIFICATION

Appliance Category		I3P			I3B/P			I3+	
Reference gas		G31			G30			G30	G31
Inlet pressure	[mbar]	30	37	50	30	37	50	28-30	37
Injector diameter	[mm]	1,35			1,35			1,35	
Gas consumption	[kg/h]	0,5	0,55	0,65	0,5	0,55	0,65	0,5	0,55
Nominal Heat Input (Hi)	[kW]	6,4	7	8,3	6,4	7,8	9,1	7,4	7,4
Nominal Heat Input (Hs)	[kW]	7	7,7	9,0	8	8,5	10	8	8
Safety device	Thermocouple								
Gas control valve	BS190								
Flexible hose (1,4 m)	Ø9mm								

SELLER	
Name:	Seller's seal and signature
Address:	
Tel/fax:	
Date of sale:	
BUYER	
Name:	
Address:	
Tel/fax:	
Date of purchase:	
<p>The gas fireplace should be installed by a qualified Installer in accordance with the applicable national building regulations and in accordance with the guidelines contained in the Installation and User's Manuals.</p>	
<p>I hereby declare that having read the User's Manual and the Guarantee Conditions.</p>	
<p style="text-align: center;">Date and legible signature of the Buyer</p>	
INSTALLER	
Name:	
Address:	
Tel/fax:	
Date of commissioning:	
<p>I hereby declare that the gas fireplace installed by my Company has been installed in accordance with the applicable building regulations and in accordance with the guidelines contained in the Installation and User's Manuals.</p> <p>The installed gas fireplace is ready for safe operation.</p>	
<p style="text-align: right;">Installer's seal and signature</p>	