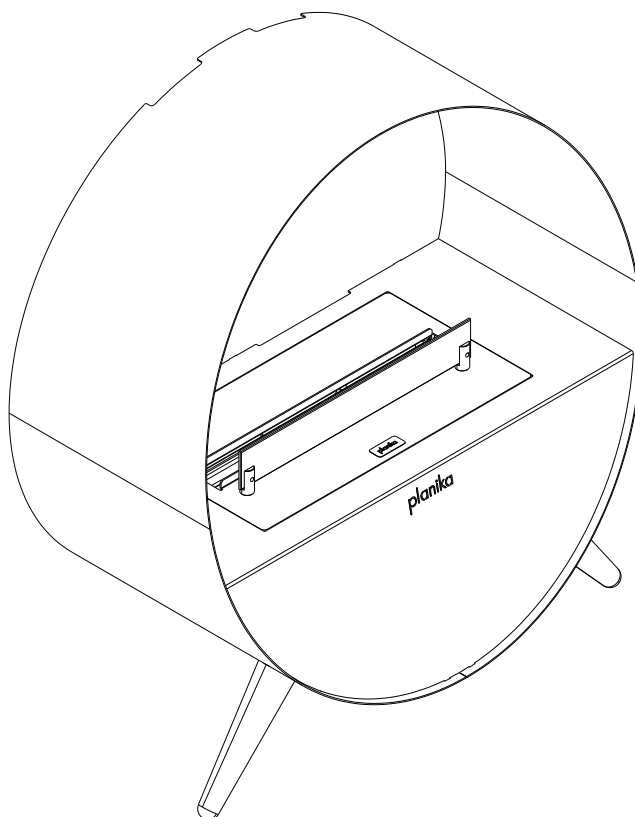


EN Installation manual



WARNING / WARNUNG / ADVERTENCIA / AVERTISSEMENT / ATTENZIONE / OSTRZEŻENIE / ВНИМАНИЕ

EN This Manual only applies to the installation of Misty only.

DE Dieses Handbuch gilt nur für die Installation von Misty

ES Este manual sólo es aplicable a la instalación de Misty

FR Ce manuel s'applique uniquement à l'installation des Misty

IT Il presente manuale si applica solo all'installazione di Misty

PL Niniejsza instrukcja dotyczy wyłącznie instalacji urządzeń Misty

RU Данное руководство относится только к установке Misty

This product complies with all the required Product Safety, Electromagnetic Compatibility and Environmental Standards. This product is fully compliant with the LVD, EMC, RoHS and Eco Design Directives.

TABLE OF CONTENTS

1. INTRODUCTION	3
2. IMPORTANT SAFETY ADVICE	3
3. GENERAL INFORMATION	4
4. INSTALLATION INSTRUCTIONS	5
5. OPERATING THE FIRE	5
6. MAINTENANCE	6
7. CLEANING	7
8. ADDITIONAL INFORMATION	7
9. PATENT / PATENT APPLICATION	8
10. TROUBLESHOOTING	8
11. APPENDIX	9

1. INTRODUCTION

Thank you for choosing this Planika electric fire. Please read this information guide carefully to be able to safely install, use and maintain your product.

2. IMPORTANT SAFETY ADVICE

When using electrical appliances, basic precautions should always be followed to reduce the risk of fire, electrical shock and injury to persons, including the following:

WARNING

Do not place material or garments on, or obstruct the air circulation around the appliance.

This appliance carries a DO NOT COVER warning

DAMAGE

Do not use this appliance if it has been dropped

If the appliance is damaged, check with the supplier before installation and operation.

If the supply cord is damaged it must be replaced by the manufacturer or service agent or a similarly qualified person in order to avoid a hazard.

LOCATION

Do not use outdoors.

Do not use in the immediate surroundings of a bath, shower or swimming pool.

Do not locate the fire immediately below a fixed socket outlet or connection box.

Ensure that furniture, curtains or other combustible material are positioned no closer than 1 metre from the appliance.

Use this appliance on a horizontal and stable surface.

PLUG POSITIONING

The appliance must be positioned so that the plug or point of isolation is accessible. Keep the supply cord away from the front of the appliance.

UNPLUGGING

In the event of a fault unplug or isolate the device.

Unplug or isolate the device when not required for long periods.

OWNER/USER

This appliance can be used by children aged from 8 years and above and persons with reduced physical, sensory or mental capabilities or lack of experience and knowledge if they have been given supervision or instruction concerning use of the appliance in a safe way and understand the hazards involved. Children shall not play with the appliance. Cleaning and user maintenance shall not be made by Children without supervision.

Children of less than 3 years should be kept away unless continuously supervised. Children aged from 3 years and less than 8 years shall only switch on/off the appliance provided that it has been placed or installed in its intended normal operating position and they have been given supervision or instruction concerning use of the appliance in a safe way and understanding the hazards involved. Children aged from 3 years and less than 8 years shall not plug in, regulate and clean the appliance or perform user maintenance.

ELECTRICITY

WARNING - THIS APPLIANCE MUST BE EARTHED.

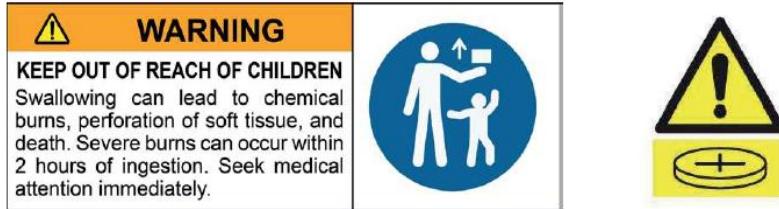
This appliance must be used on an AC ~ supply only and the voltage marked on the appliance must correspond to the supply voltage. Before switching on, please read the safety advice and operating instructions.

CAUTION - Some parts of this product can become very hot and cause burns. Particular attention has to be given where children and vulnerable people are present.

WARNING - In order to avoid overheating, do not cover the appliance.

WARNING: KEEP BATTERIES OUT OF REACH OF CHILDREN

1. Swallowing may lead to serious injury in as little as 2 hours or death, due to chemical burns and potential perforation of the oesophagus.
2. If you think batteries might have been swallowed or placed inside any part of the body seek immediate medical attention
3. Examine devices and make sure the battery compartment is correctly secured, e.g. that the screw or other mechanical fastener is tightened. Do not use if the compartment is not secure.
4. Dispose of used button batteries immediately and safely. Flat batteries can still be dangerous.



CAUTION: No obvious symptoms

Unfortunately, it is not obvious when a button or coin battery is stuck in a child's oesophagus (food pipe). There are no specific symptoms associated with this. The child might:

- cough, gag or drool a lot;
- appear to have a stomach upset or a virus;
- be sick;
- point to their throat or stomach;
- have a pain in their abdomen, chest or throat;
- be tired or lethargic;
- be quieter or more clingy than usual or otherwise "not themselves";
- lose their appetite or have a reduced appetite; and
- does not want to eat solid food/be unable to eat solid food.

These sorts of symptoms vary or fluctuate, with the pain increasing and then subsiding.

A specific symptom to button and coin battery ingestion is vomiting fresh (bright red) blood. If the child does this seek immediate medical help.

The lack of clear symptoms is why it is important to be vigilant with "flat" or spare button or coin batteries in the home and the products that contain them.

3. GENERAL INFORMATION

Only use filtered water in this appliance.

This model is designed to be free standing and is normally positioned near a wall.

Always ensure that the appliance is sitting on a level surface.

PLEASE NOTE: Used in an environment where background noise is very low, it may be possible to hear a sound which is related to the operation of the flame effect. This is normal and should not be a cause for concern.

If this product experiences a power surge for whatever reason the product may cut-out. This is a normal safety feature and the product will resume operation after 30 seconds.

Once installed, never move this appliance or lay on its back, without draining the water from sump and water tank.

If you intend not using the appliance for longer than 2 weeks, drain the water from sump and water tank and dry the sump.

The water tank, sump, sump lid, tank cap and air filters must be cleaned once every two weeks, particularly in hard water areas.

The sump and the water tank in this product are treated with a biocidal product.

4. INSTALLATION INSTRUCTIONS

BEFORE YOU START

1. Ensure that all packing items are removed (read any warning labels carefully) and retain all packing for possible future use e.g. in the event of moving house or returning the appliance to your supplier.
2. Before connecting to the mains supply, check that the supply voltage is the same as that stated on the appliance.

INSTALLATION

This appliance has been designed to be placed in front of the wall or hung on wall. Make sure to follow with these guidelines:

ESSENTIAL VENTING

A suitable air vent is essential to ensure that air can circulate into the appliance - otherwise the Opti-myst flame effect will not operate correctly. Bottom section pathway for air must not be obstructed. The air vent should be free from drafts.

3. Ensure that there is sufficient room to thread through the mains cable
 - 3.1. Dismantle the side legs as well as back stand from the Misty if your are going to hang the device on a wall (fig 9)
 - 3.2. Install assemble profile on the wall dedicated for hanging option (fig 9)
4. Locate the product in front of the wall or hang it on the profile previously installed on the wall
5. Set the logs on the burner surface (fig.11). Make sure not to put them directly in the steam rail.
6. Set the glass on top of the device (20mm from the rail)

5. OPERATING THE FIRE


This section describes how to activate your fire using either the manual controls or remote control.


MANUAL CONTROLS

The manual controls are located beneath the fuelbed
(See Fig.4 for Manual Control layout)

Switch 'A' – Controls the electricity supply to the Fire.



Note: This switch must be in the 'ON' (I) position for the Fire to operate

Switch 'B' – Press  to turn on the flame effect. This will be indicated by an audible beep. Although the main lights operate immediately it will take a further 45 seconds before the flame effect starts.

Press  to put fire in to standby mode. This will be indicated by one beep.

REMOTE CONTROL OPERATION

The remote control needs to be paired to the receiver. This can be done by following the steps below.

1. Take off the top plate to get to the device's manual buttons
2. Press the rocker switch from (0) to on (I) position.
3. Press and hold  on the device (you will hear 2 beeps)
4. Press  on remote control

The remote control comes with batteries fitted. Pull out the plastic pull tabs completely in order to engage the batteries.

1. Remove battery cover of the remote control using a Philips screwdriver. (See below)
2. Correctly install two 3 Volt (CR2032 or similar) battery in the battery holder with the + side facing up.
3. Secure the battery cover using the previously removed screw.









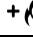
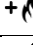
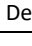
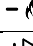
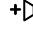
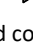

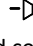
Batteries must be recycled or disposed of properly. Check with your Local Authority or Retailer for recycling advice in your area.

Frequency band(s) this product operates in: 2.4 GHz.

Maximum radio- frequency power transmitter in the frequency band(s) this product operates in: 2.71 dBm



This section describes how to active your fire using the remote control

	Standby	Press  to turn on the unit or put it in standby mode. There is a brief delay after pressing  before the unit turns on. When the unit is turned on, there is a 45-second warm-up sequence before the flame effect starts.
	Timer	Press  repeatedly to set the timer. The fireplace goes into standby after the time has elapsed. The timer can be set from 1 hour to 3 hours. Pressing  timer 1 beep indicates time set for 1 hour, press again 2 beeps indicates timer set for 2 hours and press again 3 beeps for 3 hours, press again to turn off the timer (no beeps)
	Increase Flame Intensity	Press  to increase the flame intensity. Flame intensity range F1-F6
	Decrease Flame Intensity	Press  to decrease the flame intensity. Flame intensity range F1-F6
	Increase Volume	Press  repeatedly (or press and hold) to increase the volume level of the crackling sound effect. Sound control range OFF- VOL6
	Decrease Volume	Press  repeatedly (or press and hold) to decrease the volume level of the crackling sound effect. Sound control range OFF- VOL6

GETTING THE DESIRED FLAME EFFECT

1. Slide in the fiber material into perfume pocket. (fig 12)
2. Set few drops on the material (fig 12)
3. Assemble the perfume pocket on the device rail (fig 12)

NOTE: Avoid contact with eyes. Do not use orally or undiluted directly on the skin. Store in a tightly closed bottle at room temperature away from heat and light, out of the reach of children. Nursing and pregnant women should consult an aromatherapist before use. For external use only. The oil should be diluted before use.

6. MAINTENANCE

GENERAL TIPS

Only use filtered tap water in this appliance.

Always ensure that the appliance is sitting on a level surface.

If you intend not using the appliance for longer than 2 weeks, remove and empty the sump and water tank.

Once installed, never move this appliance or lay on its back, without draining the water from sump and water tank.

FILLING THE WATER TANK

When the water tank is empty, the flame and smoke effect shuts off and you will hear two audible beeps, the LED's will double blink indicates low water.

Follow the steps below to refill your product with water.

1. Unplug the device from the electricity
2. Take off the glass from the product (fig 10)
3. Take off the top plate from the device to get inside the product (fig 10)
4. Take out the device from the firebox
5. Press Switch 'A' to **(0)** (See Fig.4)
6. Gently lift out the fuelbed and carefully set aside.
7. Remove the water tank by lifting upwards and outwards.
8. Place the water tank in sink and remove cap, turn anti-clockwise to open.
9. Fill tank with **filtered tap water only**. This is necessary to prolong the life of the flame and smoke producing unit. The water should be filtered through a conventional domestic water filter unit and the filter should be replaced regularly.
10. Screw the cap back on, do not over tighten.
11. Return the tank to the sump, with the tank cap facing down
12. Gently place the fuelbed back into position.
13. Press Switch 'A' to 'ON' **(I)** position (See Fig.4)
14. Put the device back and plug it into electricity
15. Connect the power cable to the appropriate power connector at the back of the appliance and Plug the power cable into a 13amp/240volt outlet. The appliance is now ready for use.
16. When the sump has been refilled the blinking lights will stop and product will start up as normal.

7. CLEANING

Warning – Always press Switch ‘A’ to the ‘OFF’ (0) position (See Fig.4) and disconnect from the power supply before cleaning the fire.

We recommend cleaning the following components once every 2 weeks, particularly in hard water areas: Water Tank, Sump, Nozzle, Tank cap and seal, Air filter.

For general cleaning use a soft clean duster – never use abrasive cleaners.

To remove any accumulation of dust or fluff, the soft brush attachment of a vacuum cleaner should occasionally be used.

WATER TANK

1. Remove water tank, as described earlier, put into sink and empty water.
2. Using the supplied brush gently rub the inside surfaces of the cap paying particular attention to the rubber ring in the outer groove and the center rubber seal.
3. Put a small quantity of washing up liquid into the tank, refit the cap and shake well, rinse out until all traces of washing up liquid are gone.
4. Refill with filtered tap water only, replace the cap, do not overtighten.

SUMP

1. Unplug the device from the electricity
2. Take off the glass from the product (fig 10)
3. Take off the top plate from the device to get inside the product (fig. 10)
4. Take out the device from the firebox
5. Gently lift out the fuelbed and place carefully on the ground.
6. Press Switch ‘A’ to the ‘OFF’ (0) position
7. Remove the water tank by lifting upwards.
8. Disconnect the electrical connector, located on the back of the product under the rating label. (See Fig.5) .
9. Pinch open the red clips.
10. Gently lift up the orange nozzle and set aside.
11. Lift out the sump being careful not to spill any water left inside it.
12. The transducer is secured in the sump by a small clip. Pull back the clip to allow the transducer to be removed from the sump. Carefully tilt, so that the liquid drains out of the sump.
13. Put a small amount of washing up liquid into the sump, and using the supplied brush, gently clean all surfaces in the sump and gently clean the transducer including the metal discs located in the top grooved surface. (See Fig.7)
14. When cleaned, thoroughly rinse the sump with clean water to remove all traces of washing up liquid.
15. Clean the Nozzle with the brush and flush out thoroughly with water. (See Fig.8)
16. Reverse the above steps to reassemble.

AIR FILTER

1. Gently lift out the fuelbed and place carefully on the ground.
2. Gently slide the air filter upwards out of its plastic holder. (See Fig.9)
3. Gently rinse with water in the sink and dry with fabric towel before returning.
4. Replace the filter making sure that the coarse black filter is facing the front of the fire.
5. Replace the fuelbed.

8. ADDITIONAL INFORMATION

AFTER SALES SERVICE

Your product is guaranteed for two years from the date of purchase. Within this period, we undertake to repair or exchange this product free of charge (excluding lamps & subject to availability) provided it has been installed and operated in accordance with these instructions. Your rights under this guarantee are additional to your statutory rights, which in turn are not affected by this guarantee.

RECYCLING



For electrical products sold within the European Community - At the end of the electrical products useful life it not be disposed of with household waste. Please recycle where facilities exist. Check with your Local Authority or retailer for recycling advice in your country.

9. PATENT / PATENT APPLICATION

Products within the Planika range are protected by one or more of the following patents and patent applications:

Great Britain GB 2402206, GB 2460259, GB 2460453 , GB 2418014, GB 2465738, GB 2449925, GB 2465537 , GB 2455277 , GB1020534.2, GB1020537.5, GB1110987.3

United States US 7967690, US 2010299980, US 2011062250, US 2008028648, US 13/167,042

Russia RU2008140317

European EP 2029941, EP 2201301, EP 2315976, EP 1787063, EP07723217.1 , EP11170434.2, EP 11170435.9

China CN 101883953, CN 200980128666.2, CN 101057105, CN 101438104

Australia AU 2009248743, AU 2007224634

Canada CA 2725214, CA 2579444, CA 2645939

International Patent Application WO 2006027272

South Africa ZA 200808702

Mexico MX 2008011712

Korea KR 20080113235

Japan JP 2009529649

Brazil BR P10708894-9

India IN 4122/KOLNP/2008

New Zealand NZ 571900

10. TROUBLESHOOTING

Symptom	Cause	Corrective Action
The flame effect will not start.	Mains plug is not plugged in. Low voltage connector not connected properly. (See Fig.5) The Transducer Unit is not sitting correctly in the sump	Check plug is connected to wall socket correctly. Check that the connector is inserted correctly. (See Fig.6) Ensure the Transducer in sitting down into the moulded recess in the sump
Product will not operate. LEDs turned off	Low water level.	Check that the water tank is full and there is water in the sump. Follow steps above under Filling the Water Tank to refill the product with water.
The flame effect is too low	Flame effect control is set too low The metal Disc in the transducer might be dirty. The wire from the Transducer Unit is sitting over the metal disc.	Increase level of flame by using the remote control. Clean the Metal Disc with soft brush supplied. (see fig. 7) See "Maintenance" for a step by step procedure. Direct the wire to the back of the sump and make sure it sits into the side slot existing the sump.
Unpleasant smell when unit is used.	Dirty or stale water. Using unfiltered tap water.	Clean the unit as described under maintenance. Use only filtered tap water.
The flame effect has too much smoke	Flame effect setting is too high	Reduce the flame effect using manual controls or remote control (refer to, "Operating the Fire" section). Give the flame generator some time to adjust to the new setting.
There are no flames or smoke	There is no water in the water tank	Follow instructions under: Maintenance, "Filling the water tank" Check the plug is connected to the wall socket correctly and that switch 'A' fig 4 is in 'ON' (I) position.

11. APPENDIX

Fig 1

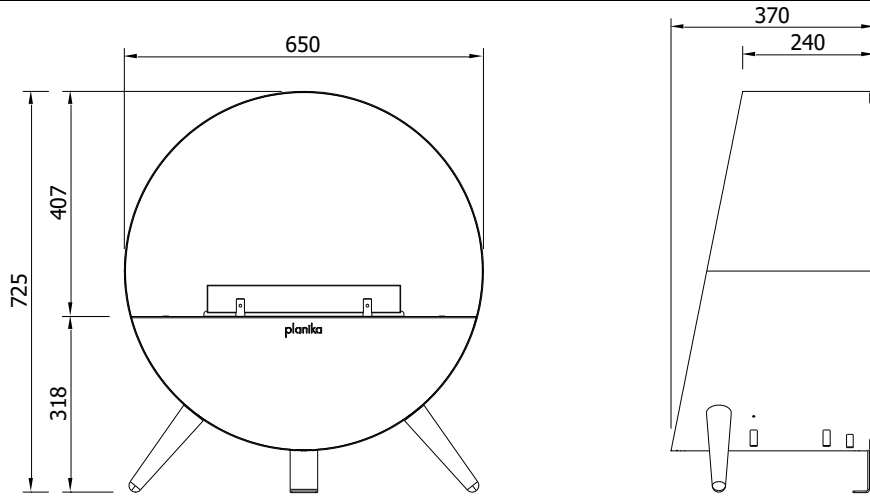


Fig 2

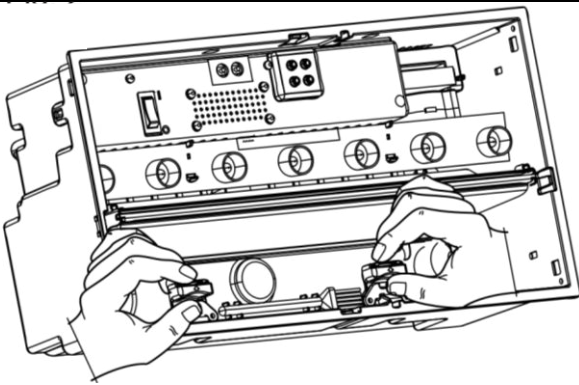


Fig 3

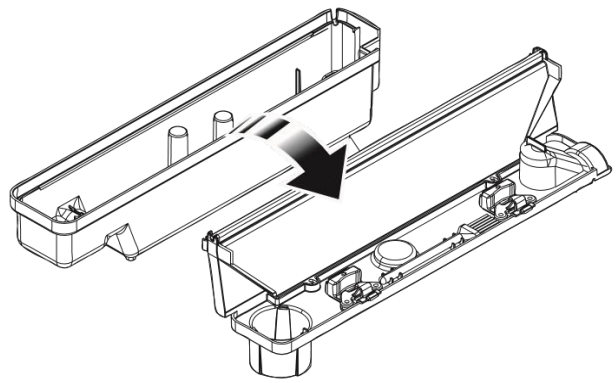


Fig 4

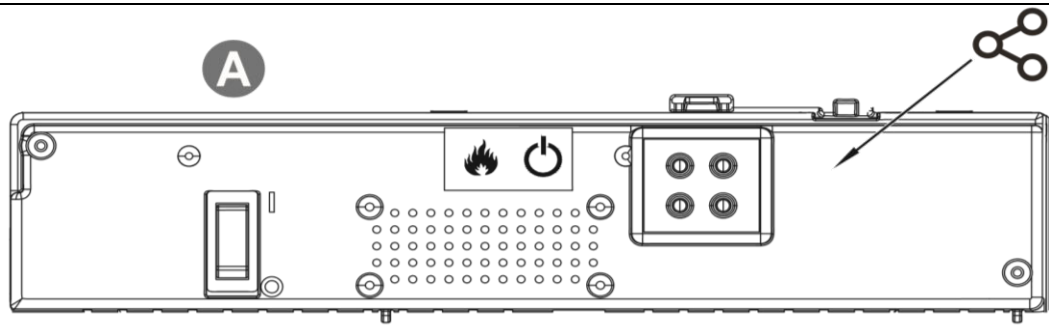


Fig 5

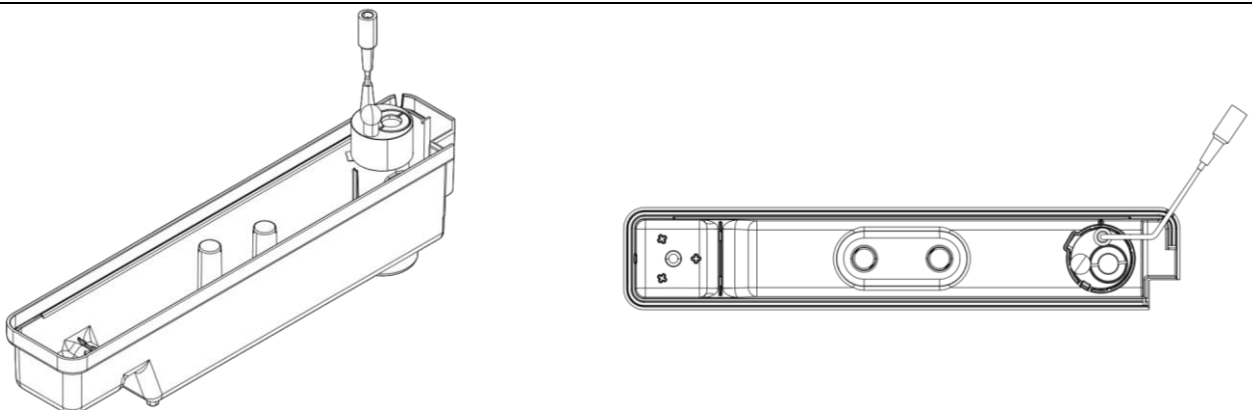


Fig 6

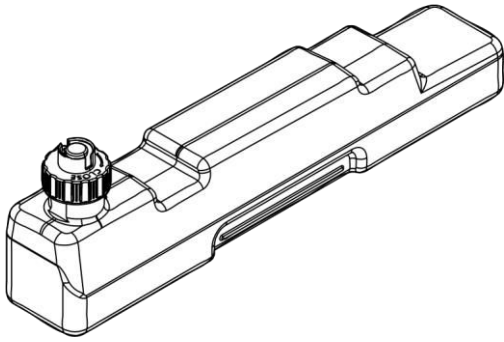


Fig 7

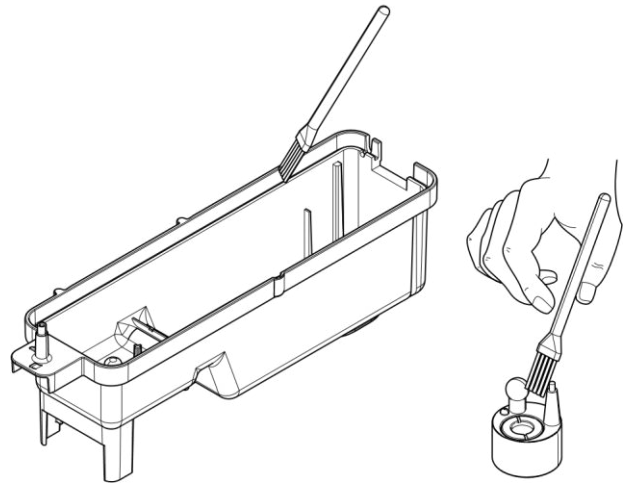


Fig 8

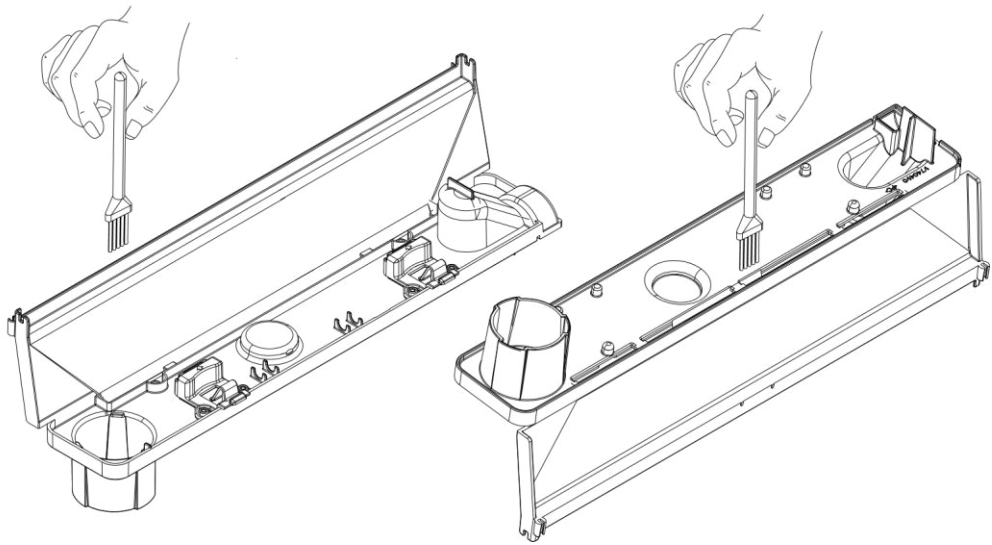


Fig 9

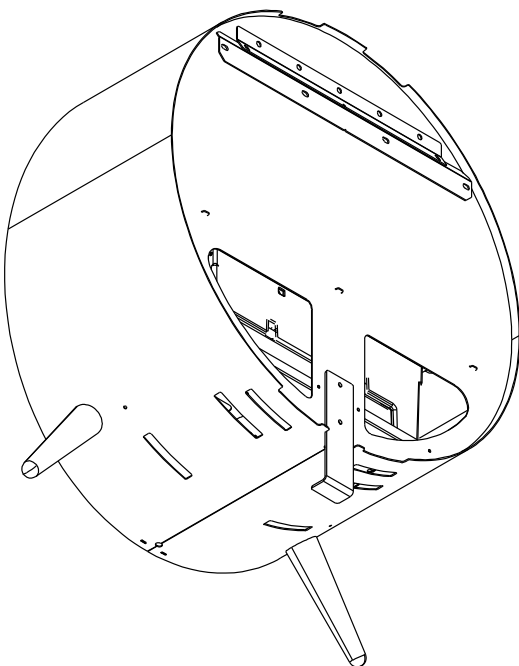


Fig 10

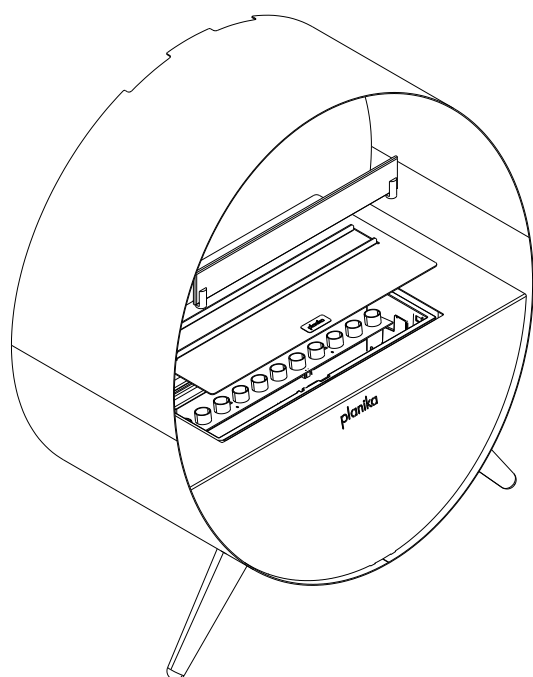


Fig 11



Fig 12

