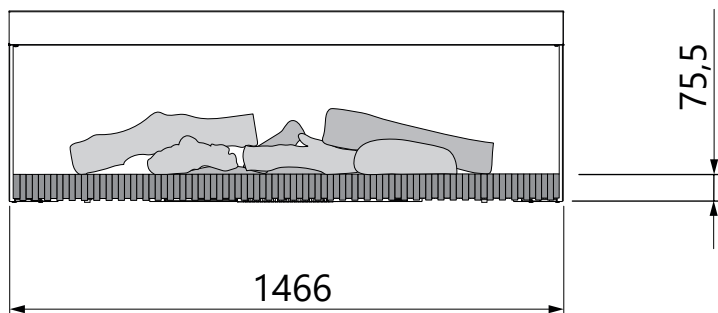
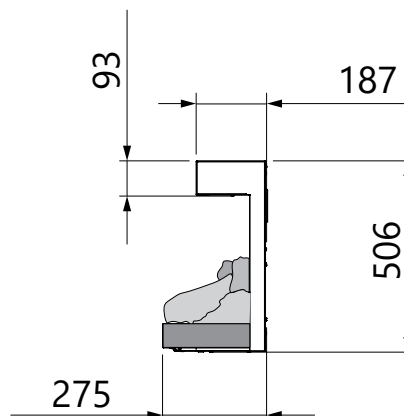


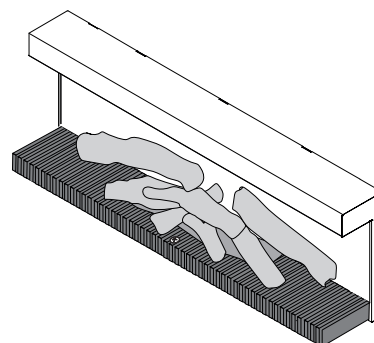
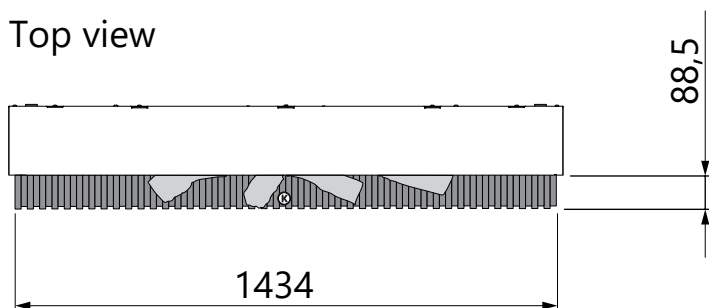
Front view



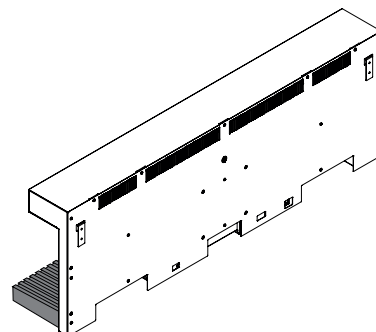
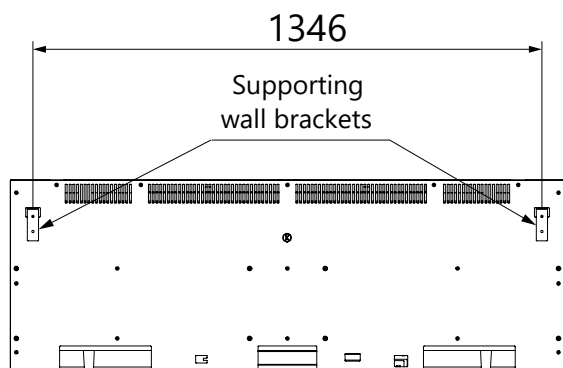
Side view



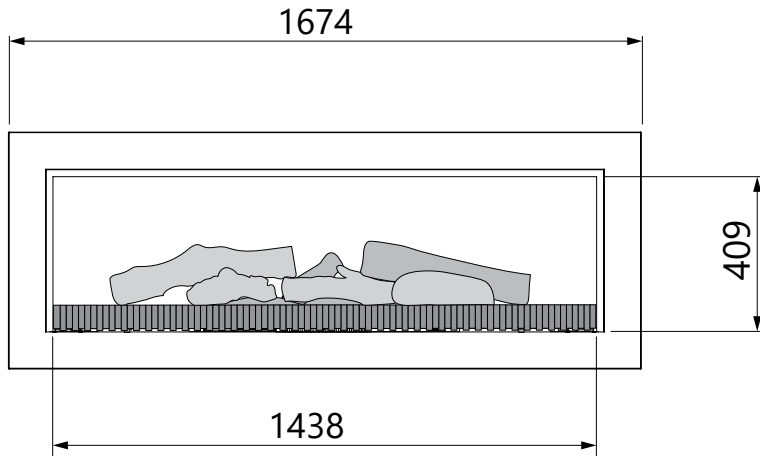
Top view



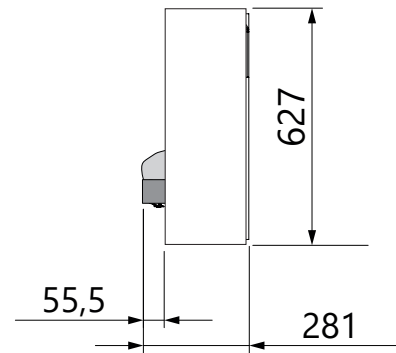
Rear view



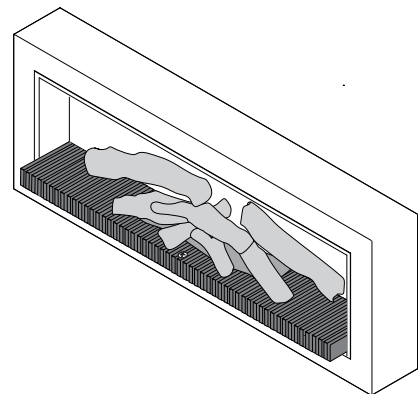
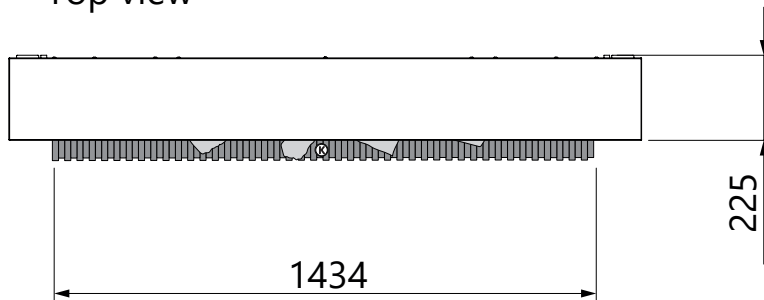
Front view



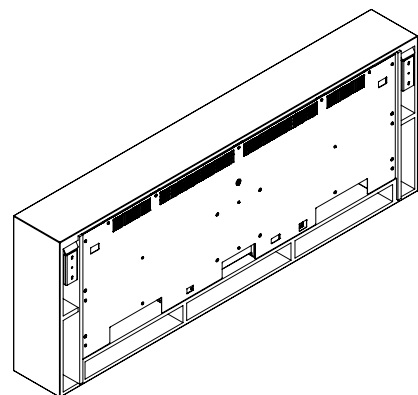
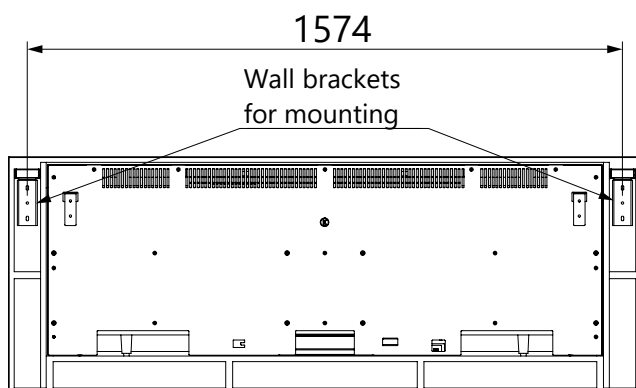
Side view



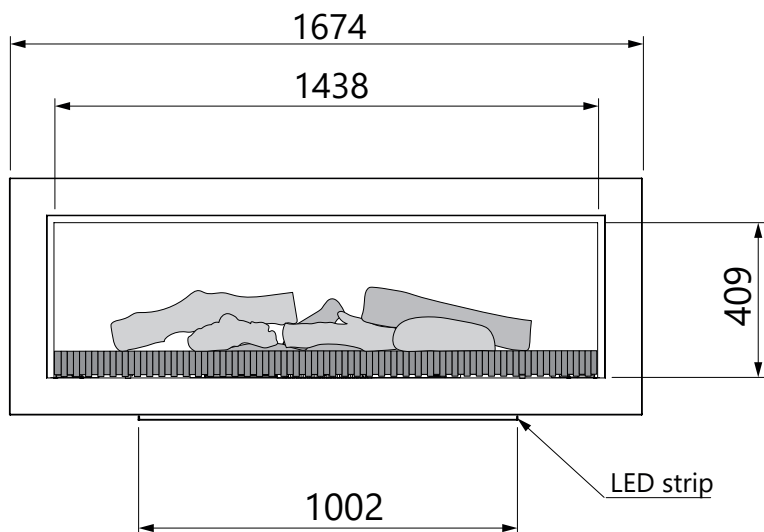
Top view



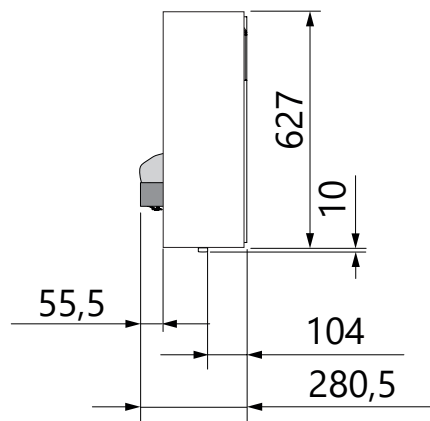
Rear view



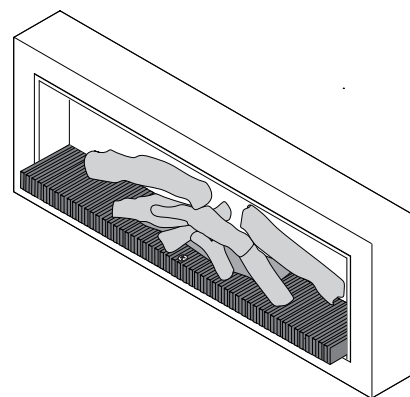
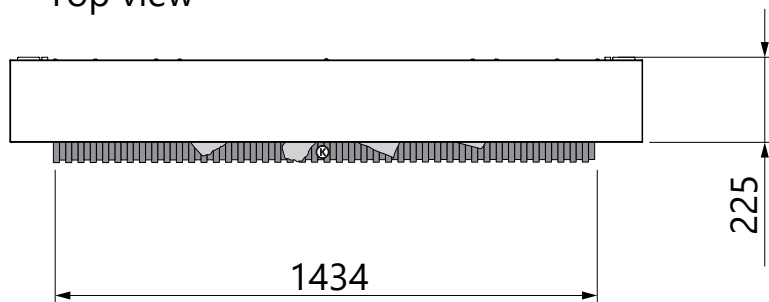
Front view



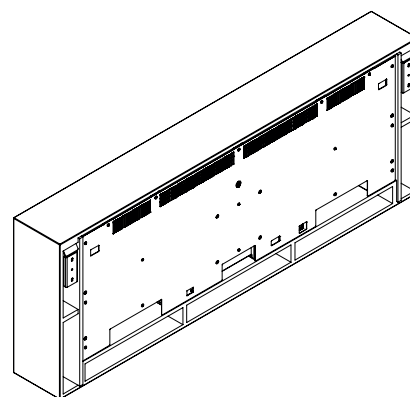
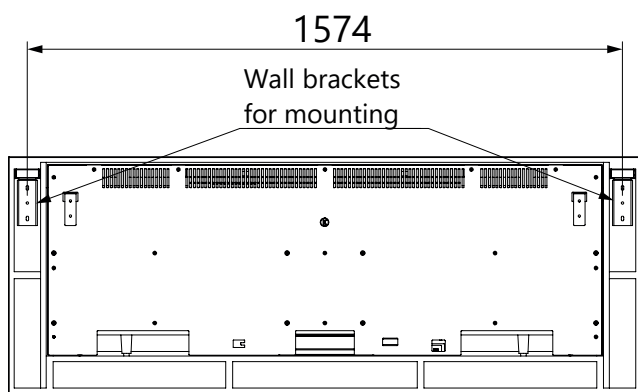
Side view



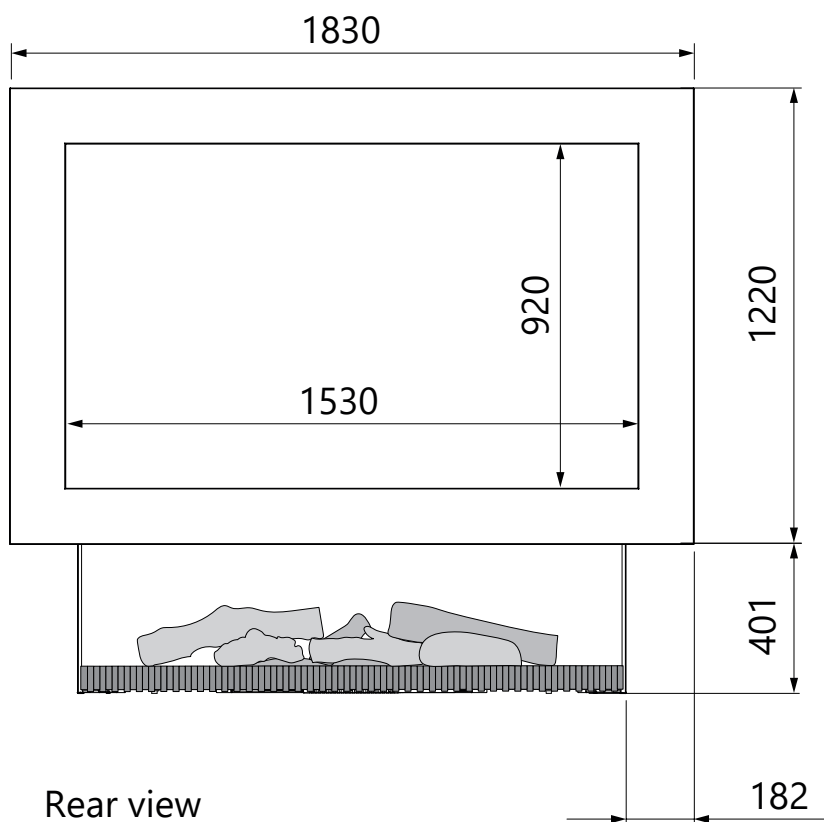
Top view



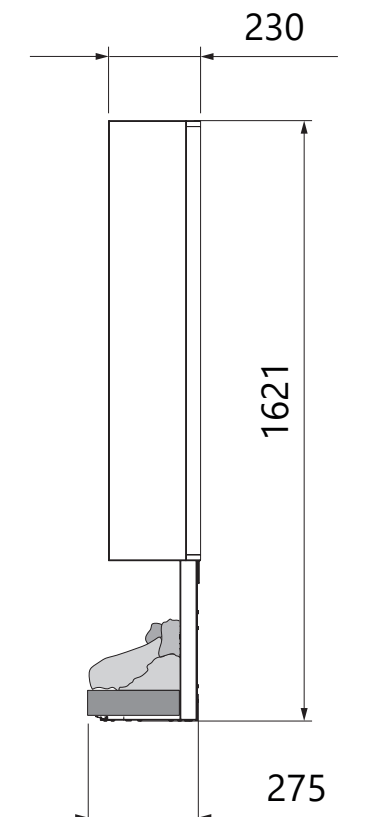
Rear view



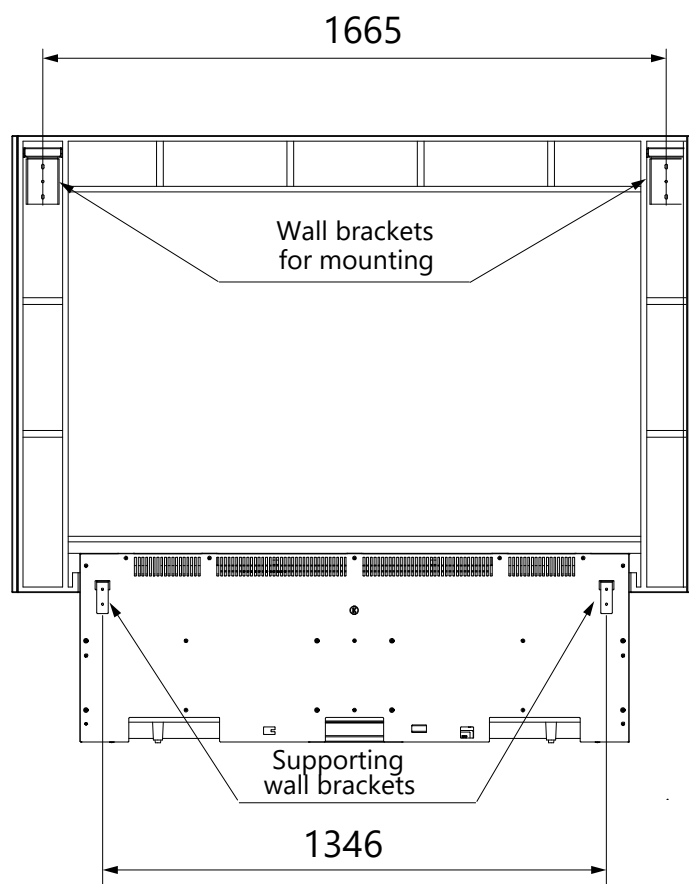
Front view



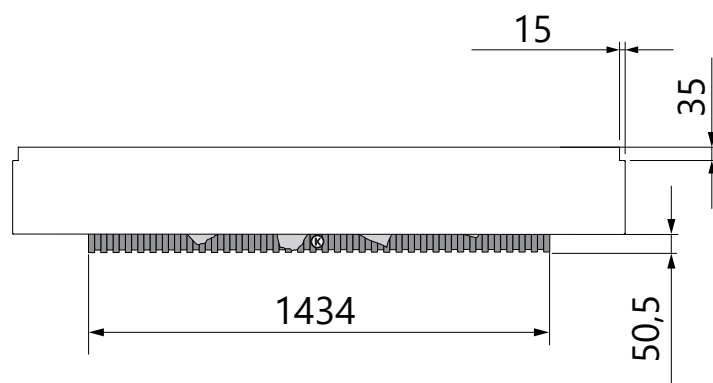
Side view



Rear view



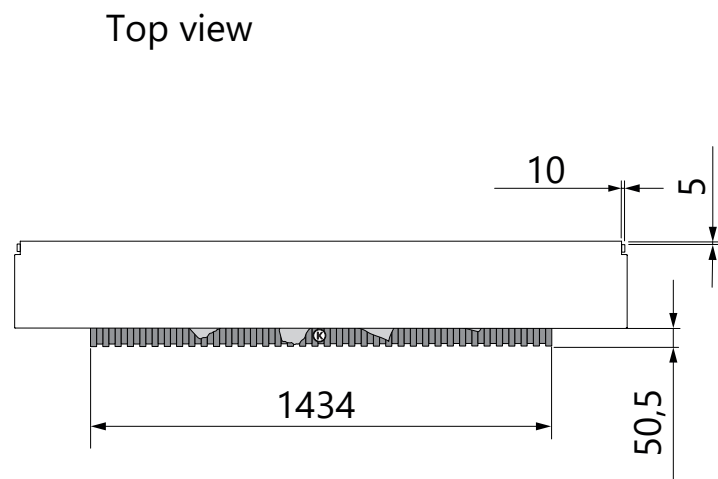
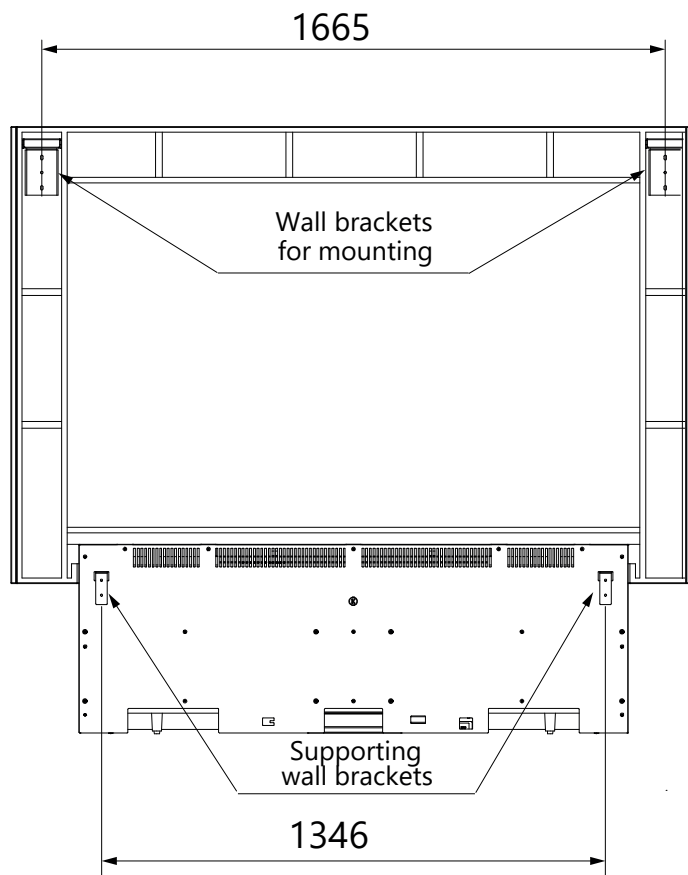
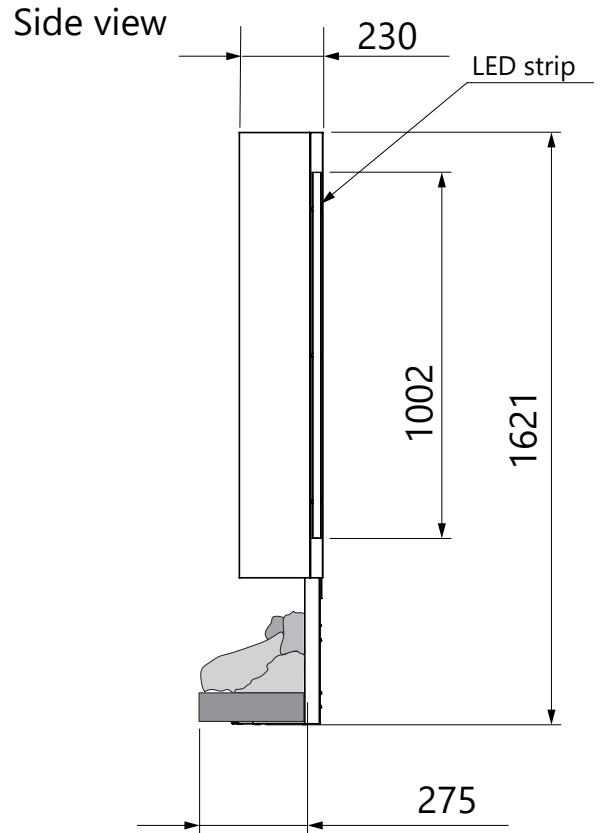
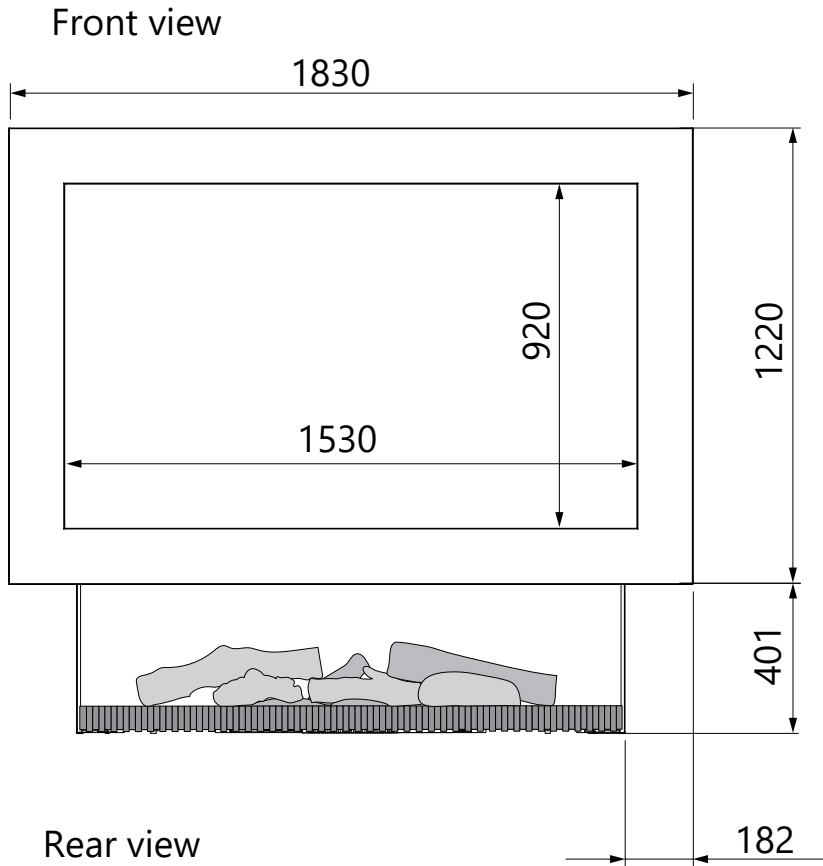
Top view



All dimensions are in mm. Modifications under reserve.

Weight indication: 71 kg.

© All rights reserved. This drawing is sole property of Kalfire. No part of this drawing may be reproduced, or published, in any form or in any way without written permission from Kalfire.



All dimensions are in mm. Modifications under reserve.  
 Weight indication: 71 kg.

22-1-2024

© All rights reserved. This drawing is sole property of Kalfire. No part of this drawing may be reproduced, or published, in any form or in any way without written permission from Kalfire.