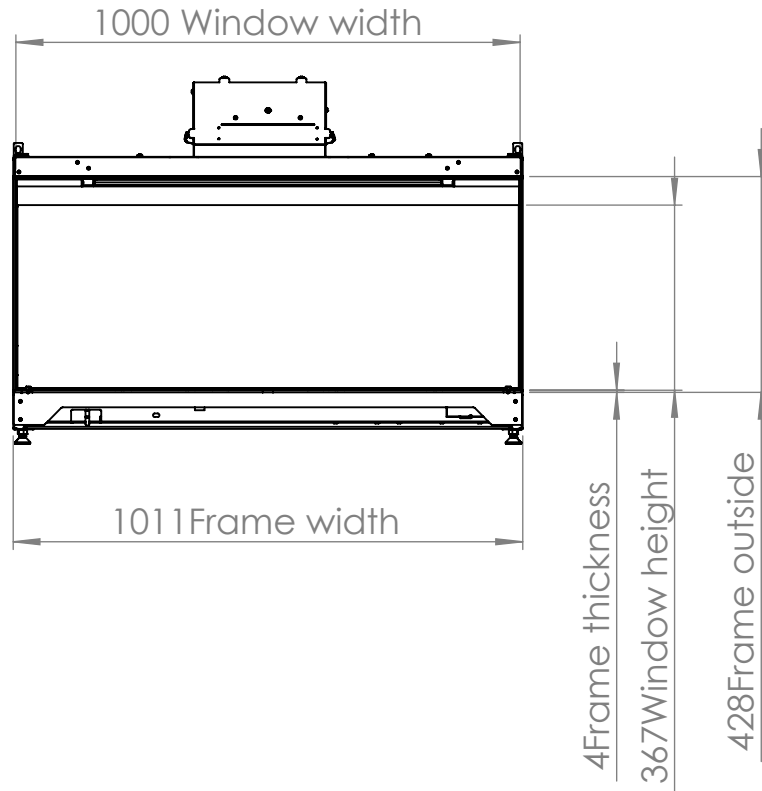
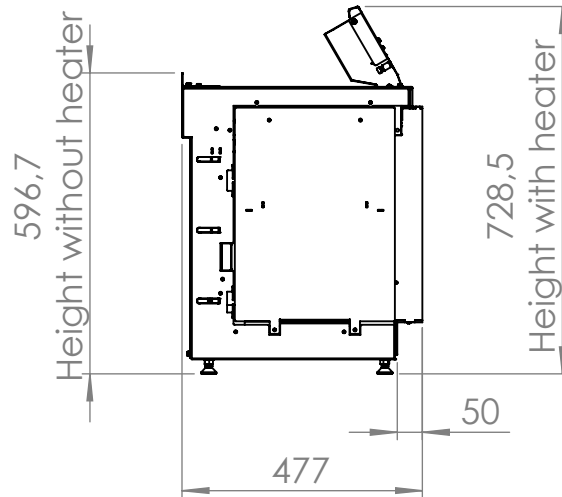
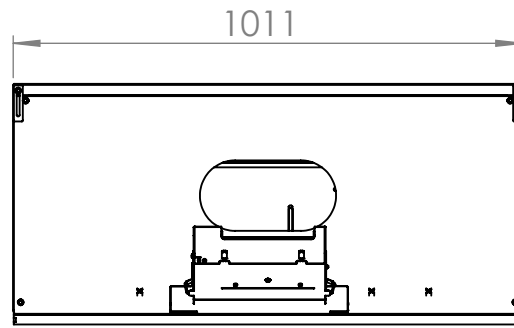
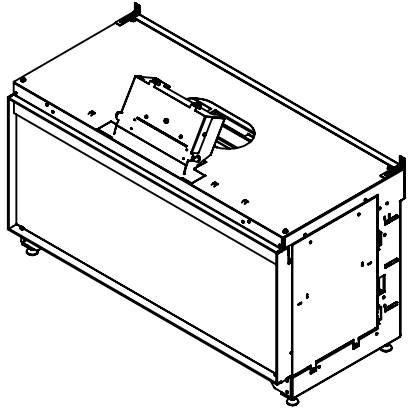


KALFIRE

FIREPLACES

E-One 100 F



Note:

- Minimum of 2mm clearance around frame.
- All materials must withstand a temperature of minimum 80 degrees.
- A minimum of 100 cm² of free area is required.
- Ventilation must be provided at both the bottom and top of the housing.
- No rights can be derived from this drawing.

All dimensions in mm. Modifications under reserve.