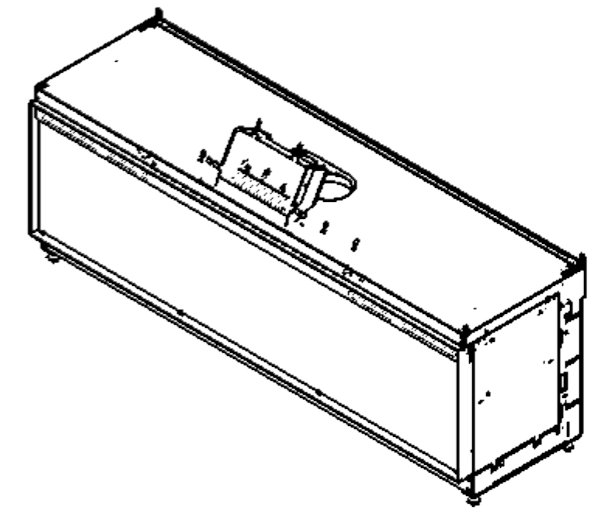
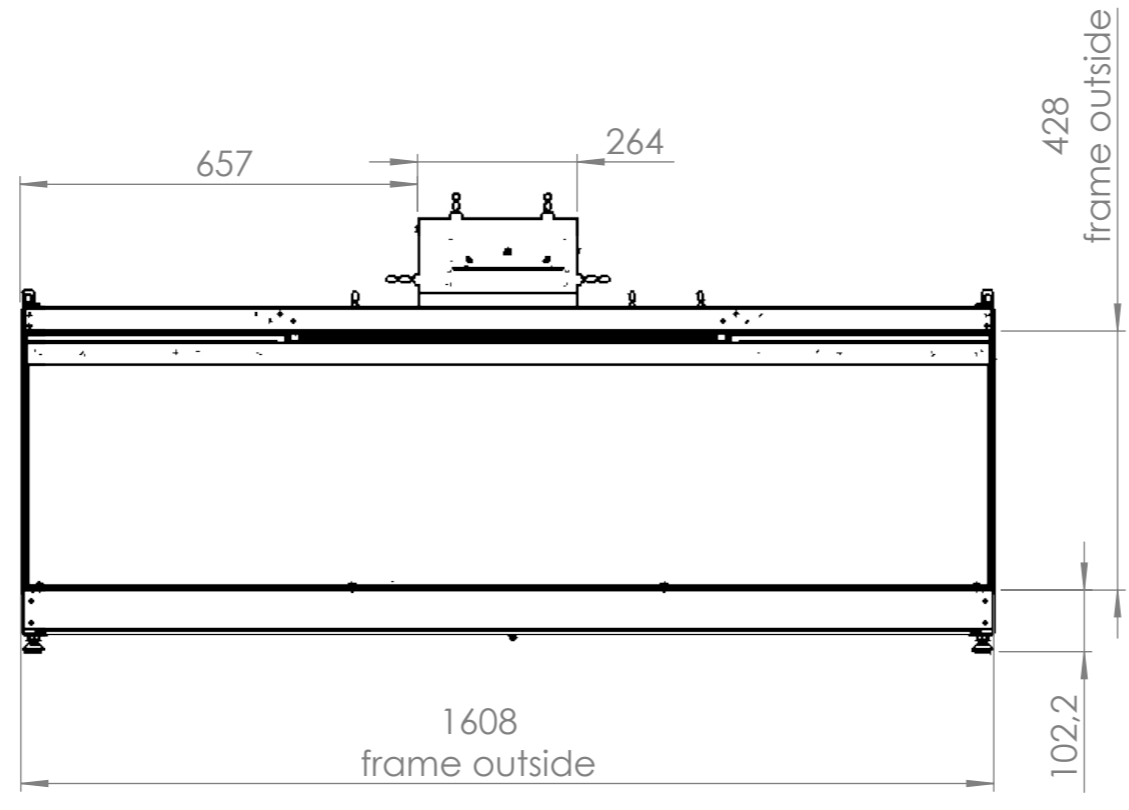
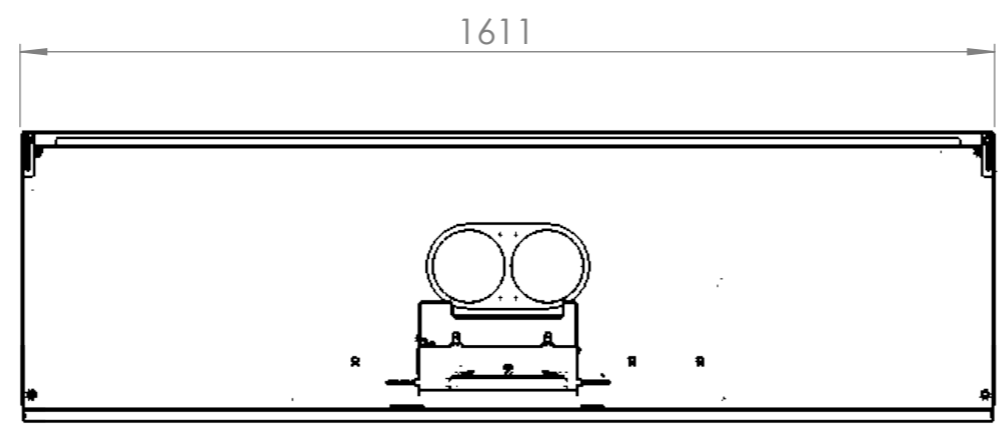
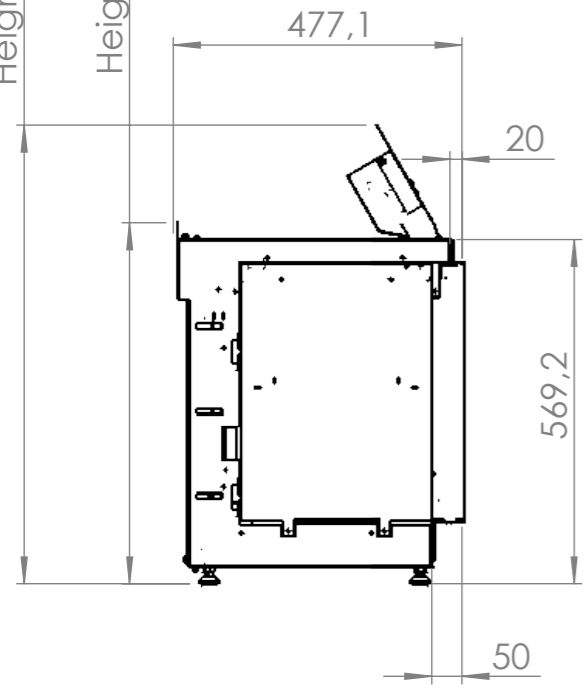


758,3
Height including atmos heating

596,7
Height excluding atmos heating



Note:
Minimum of 2mm clearance around frame.
All materials must withstand a temperture of minimum 80 degrees.
A minimum of 100 cm2 of free area is required.
Ventilation must be provided at both the bottom and top of the housing.

<h1>KALFIRE</h1> <p>FIREPLACES</p>	Treatment:			
	Material:			
Mass (Kg): 105.95	Date: 4-4-2023	Author: MM	Third Angle Projection ISO 128-Method A	
Description: E-ONE 160 F				
Drawing number: KF05239			Rev.: 00	Scale: 1:12,5 A3
All rights reserved. All dimensions in mm. Copywrited / Reprints prohibited. Kal-fire BV.			State : In Progress	
Page: 1/1	Size: A3	Scale: 1:12,5	Rev.: 00	Drawing number: KF05239